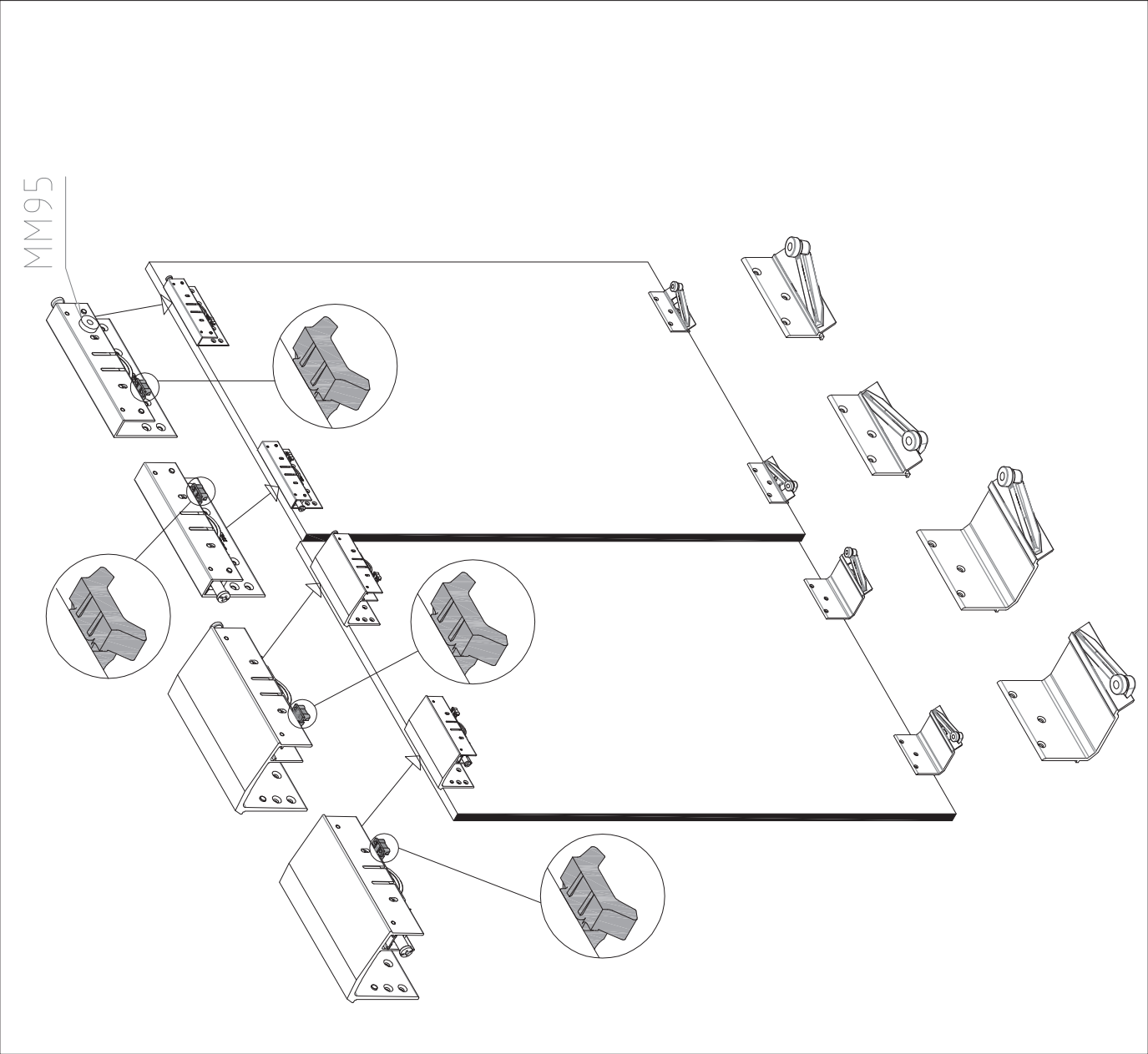
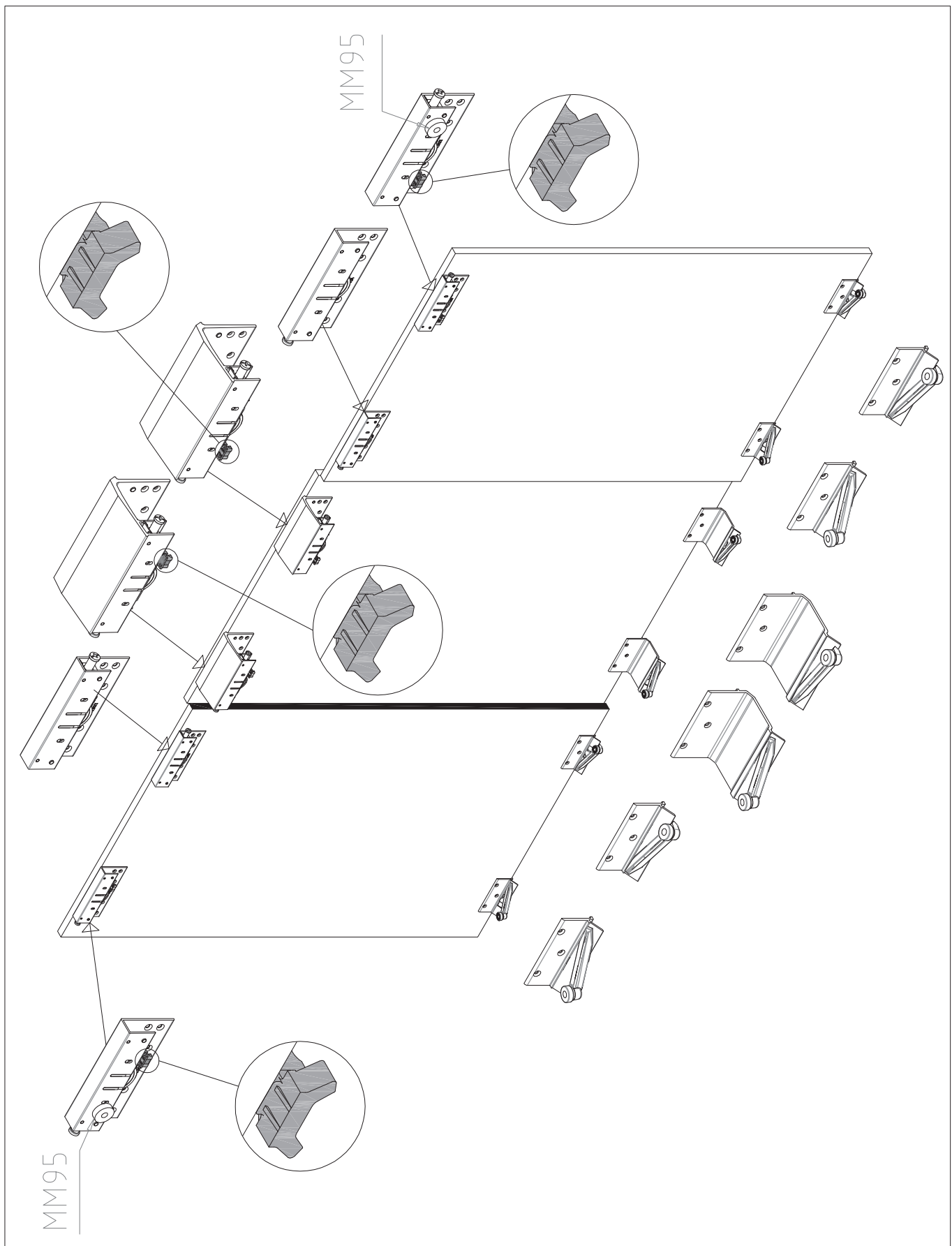


Assembly trucks and slides on 2 doors



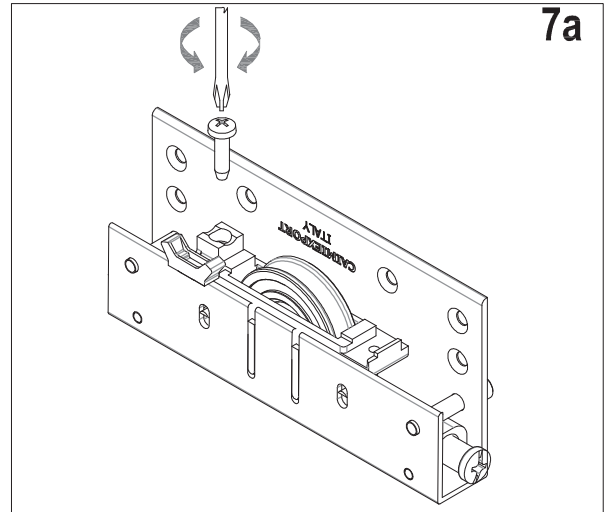
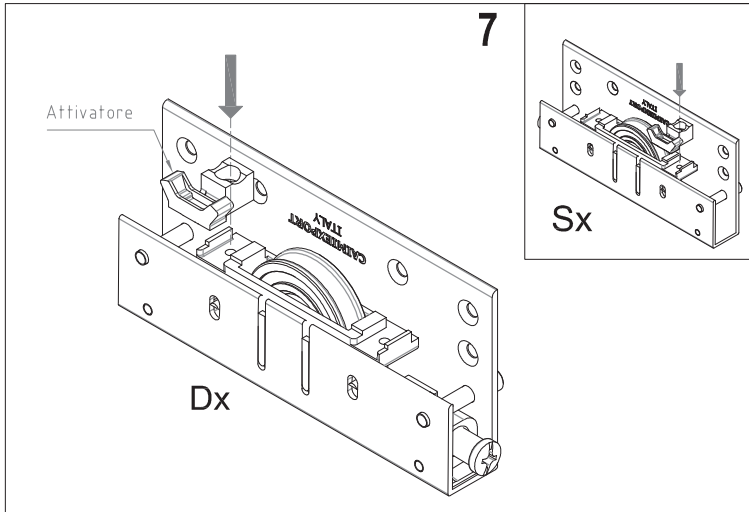
5a - Put block and MM95 to obtain 2 door wardrobe. For assembling see page 8 / 9

Assembly trucks and slides on 3 doors



5a - Put block and MM95 to obtain 3 door wardrobe. For assembling see page 8 / 9

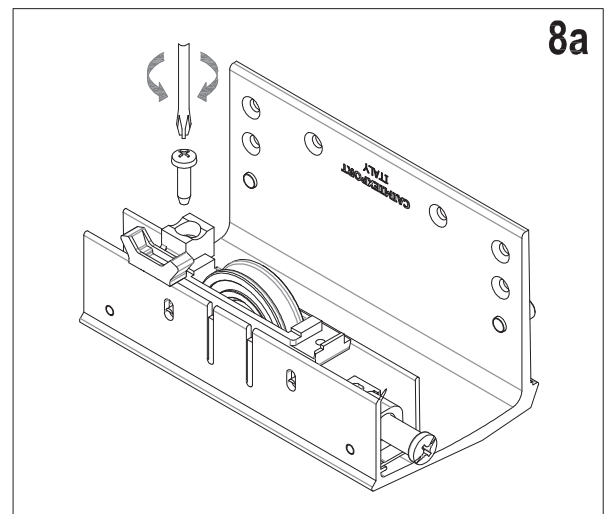
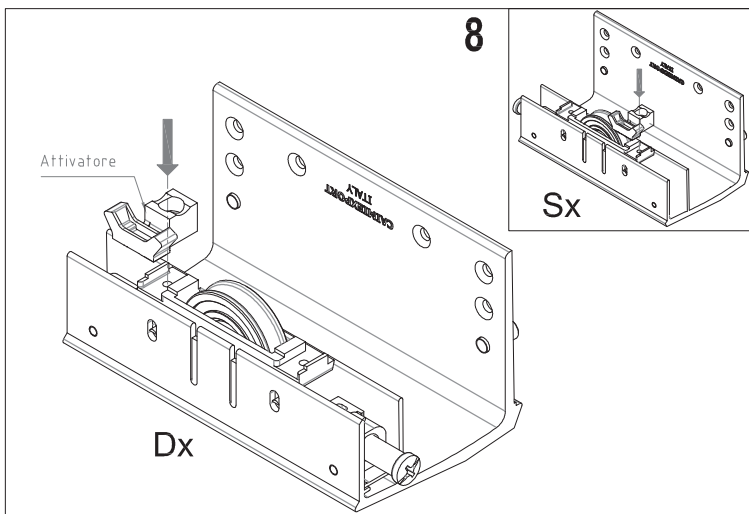
Block assembly for internal door



7 - Place the block into the seat on the wheel holder.

7a - Fix the block to the wheel holder of the truck with a tapping screw

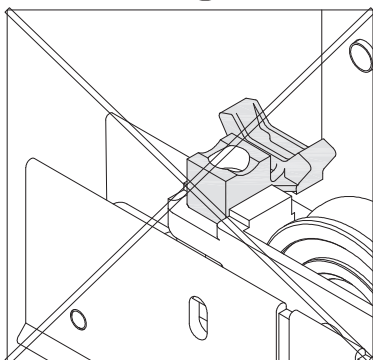
Block assembly for external door



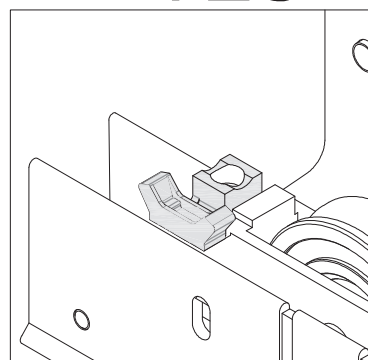
8 - Place the block into the seat on the wheel holder

8a - Fix the block to the wheel holder of the truck with a tapping screw

NO

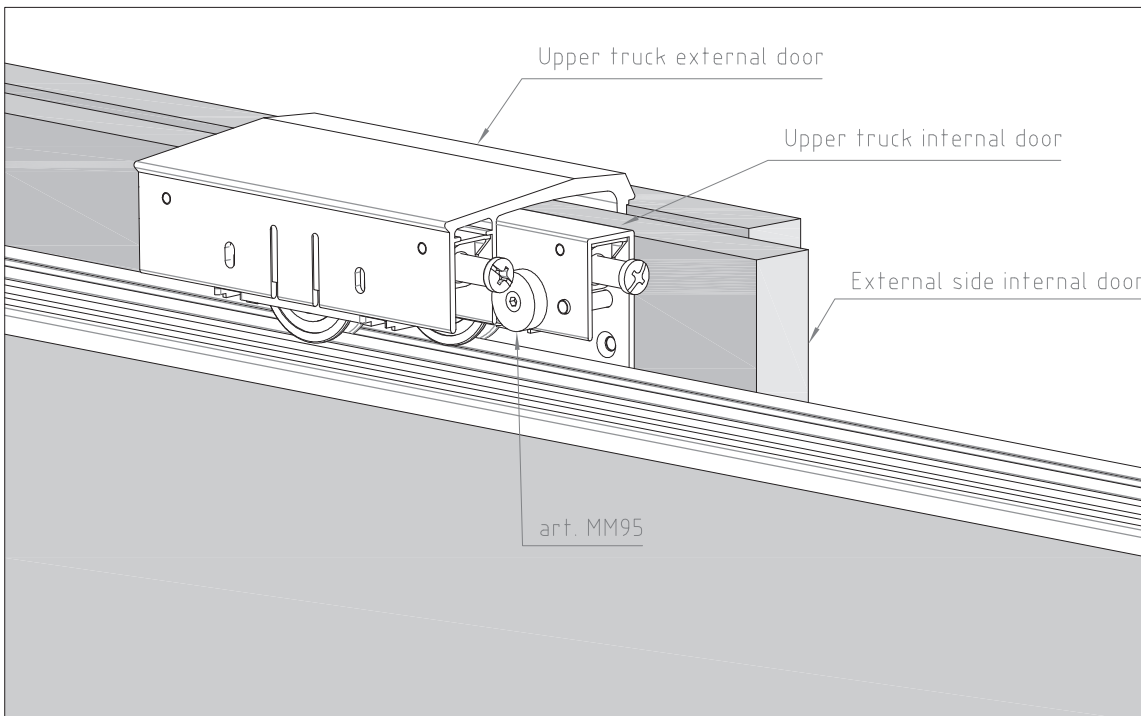
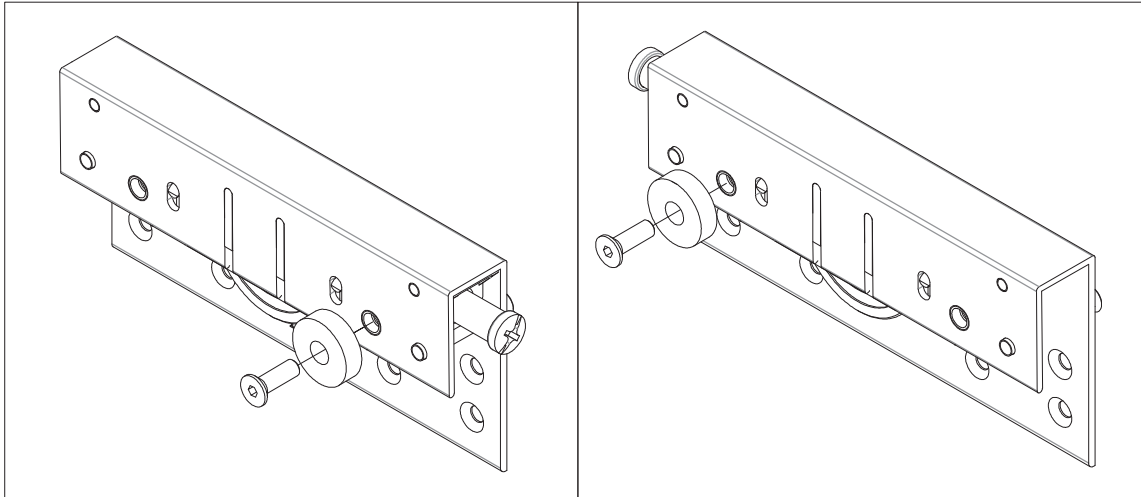
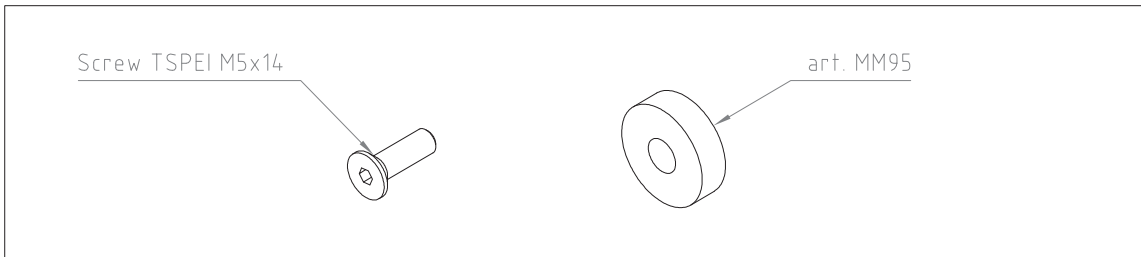


YES



ATTENTION to the block mounting direction

Assembly MM95



9 - Fix MM95 with the screw supplied. (for position see page 6 o 7)

9a - MM95 must always be positioned on the outside of internal truck near the external shoulder of the wardrobe.