

Leader Segment

Settore Leader

EN	Slides for furniture
IT	Scorrevoli per mobili
FR	Dispositifs coulissants pour meubles
DE	Laufschielen für Möbel
ES	Correderas para muebles

LEADER SYSTEMS



Scoribase Mini System

PAG. 225

Sliding system for small panels with aluminium frame.

Sistema di scorrevoli per ante con telaio in alluminio.

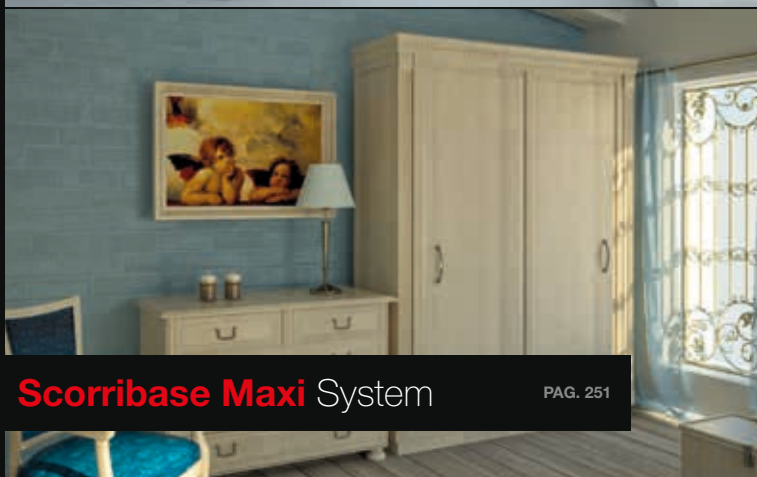


Scoribase Medio System

PAG. 235

Slides for small wood, aluminium or glass panels.

Sistema di scorrevoli regolabili per ante in legno, alluminio o vetro.



Scoribase Maxi System

PAG. 251

Sliding systems for inner, wood veneered panels.

Sistemi di scorrevoli per ante interne sovrapposte in legno.

LEADER SYSTEMS



Scoribase Soft System

PAG. 259

Overlapped sliding panels with damped clamps.

Sistema per ante scorrevoli sovrapposte con fermi ammortizzati.

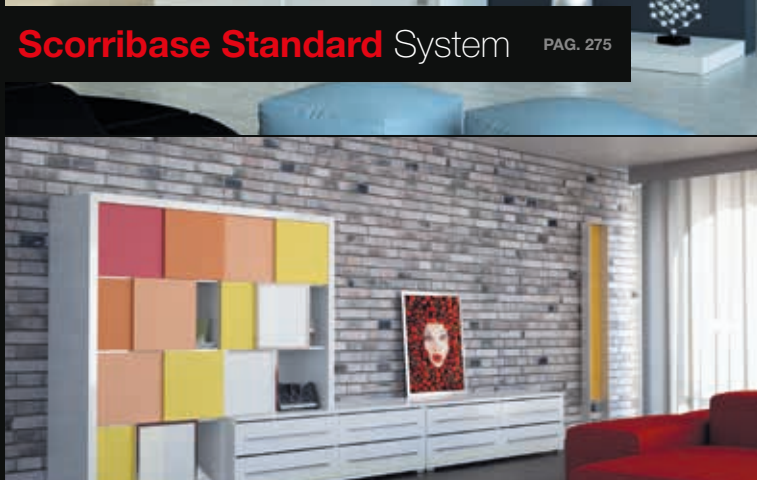


Scoribase Standard System

PAG. 275

Sliding systems for overlapping sliding doors.

Sistemi per ante scorrevoli sovrapposte.



Dama System

PAG. 293

Sliding system suitable for wooden, glass and aluminium panels, with capacities from 15 to 30 kg, traditional or cushioned air brake.

Scorrevoli adatti per ante in legno, vetro ed alluminio, con portate da 15 a 30 kg, frenatura ammortizzata ad aria o tradizionale.

LEADER SYSTEMS



Dama Ghost System

PAG. 315

New system for interior or exterior sliding room panels.

Innovativo sistema per antine scorrevoli interne o esterne al vano.



Living Base System

PAG. 327

Adjustable sliding system for wood/aluminium doors and shutters.

Sistema di scorrevoli regolabili per ante in legno o in alluminio.



Ante in Linea System

PAG. 341

Mechanisms for external line panels.

Meccanismi per ante in linea esterne.

LEADER SYSTEMS

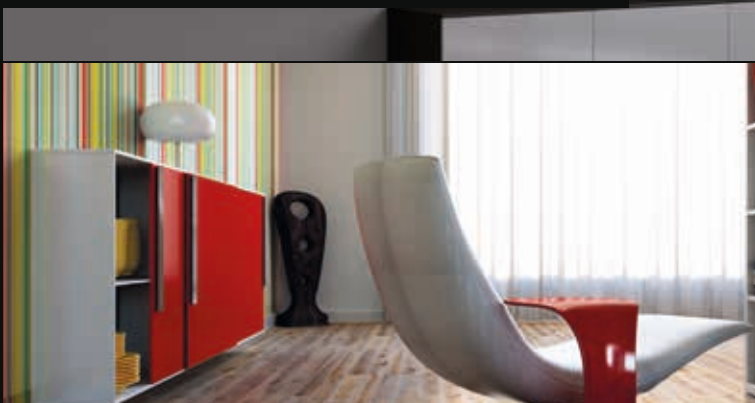


Living Top System

PAG. 391

Sliding adjustable system for suspended panels with damped and standard stops.

Sistema di scorrevoli regolabili per ante sospese con fermi ammortizzati e standard.



Scorrisospensione System

PAG. 425

Systems for adjustable suspended sliding doors.

Scorrevoli regolabili per ante sospese.



Scorriparete System

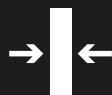
PAG. 453

Wall sliding system.

Sistema di scorrevoli a parete.

Leader systems

Comparative table



DOOR THICKNESS
SPESSORE ANTA

MAX DOOR WEIGHT
PESO MAX ANTA

	DOOR THICKNESS SPESSORE ANTA	MAX DOOR WEIGHT PESO MAX ANTA
Scorribase Mini	Max. 21 mm	Max. 20 kg
Scorribase Medio	Min. 18 - Max. 30 mm	Max. 8 kg / Max. 40 kg
Scorribase Maxi	Min. 20 - Max. 40 mm	80 kg
Scorribase Soft	Min. 18 - Max. 30 mm	Max. 60 kg
Scorribase Standard	Min. 18 - Max. 40 mm	Max. 25 kg / Max. 70 kg
Dama	Min. 16 - Max. 27 mm	Max. 30 kg
Dama Ghost	Min. 18 - Max. 30 mm	Max. 20 kg
Living Base	Min. 18 - Max. 30 mm	Max. 60 kg
Ante In Linea	Min. 18 - Max. 30 mm	Max. 10 kg / Max. 60 kg
Living Top	Min. 18 - Max. 25 mm	Max. 15 kg
Scorrisospensione	Min. 18 - Max. 30 mm	Max. 10 kg / Max. 60 kg

Settore Leader

Tabella comparativa



EASY MOUNTING
FACILE MONTAGGIO

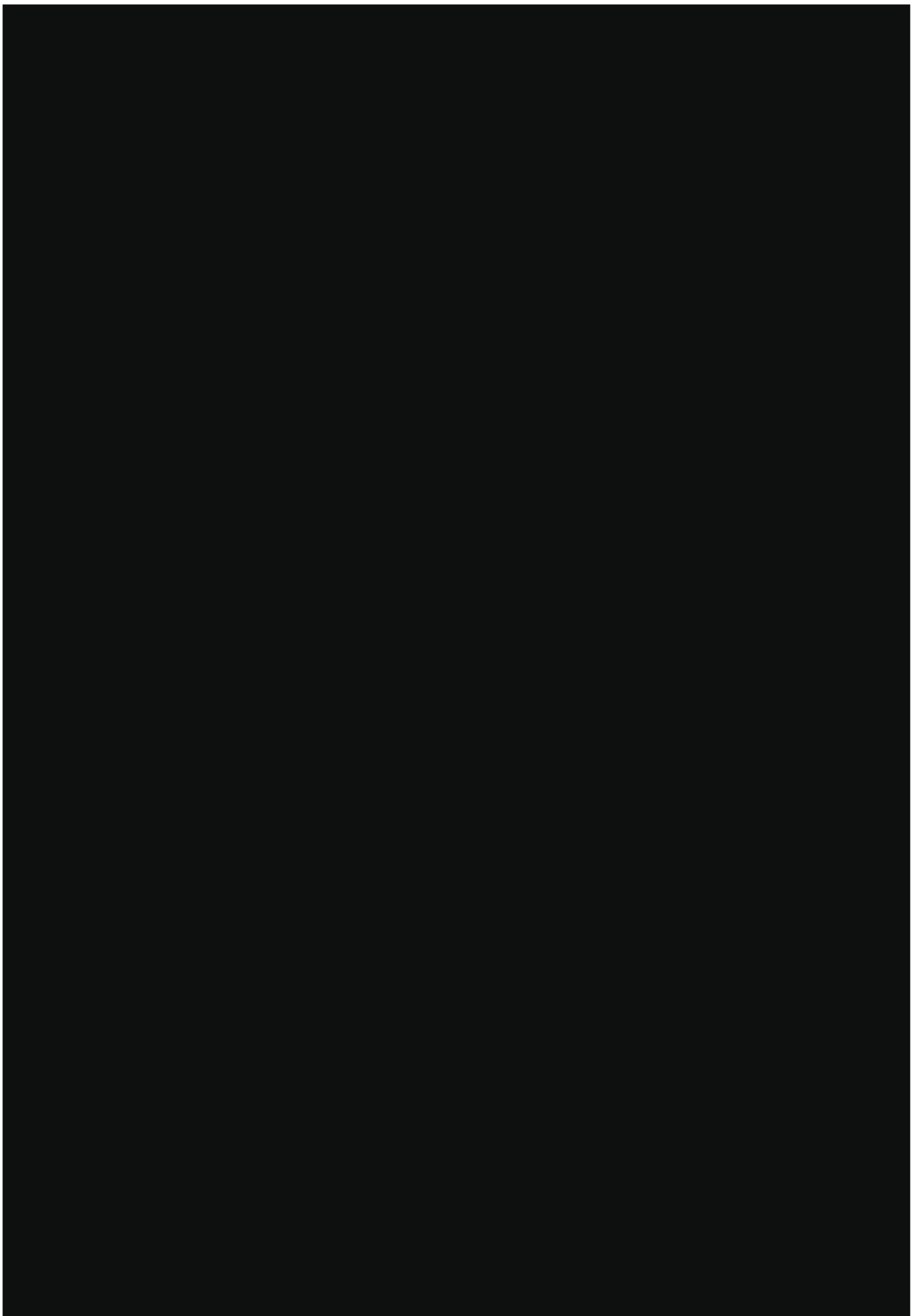
EASY REGULATION
FACILE REGOLAZIONE

SOFT CLOSING
FERMO AMMORTIZZATO

SUSPENDED DOORS
ANTE SOSEPE

SUSTAINED DOORS
ANTE IN APPOGGIO

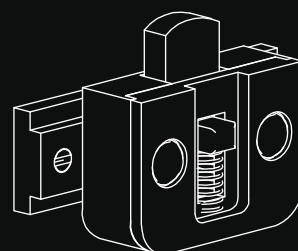
●				●
●	●			●
●	●			●
●	●	●		●
●	●			●
●		●		●
●	●	●		●
●	●	●		●
●	●	●	●	●
●	●	●	●	
●		●	●	





Scorribase Mini

Sliding system for small panels with aluminium frame
Sistema di scorrevoli per antine con telaio in alluminio

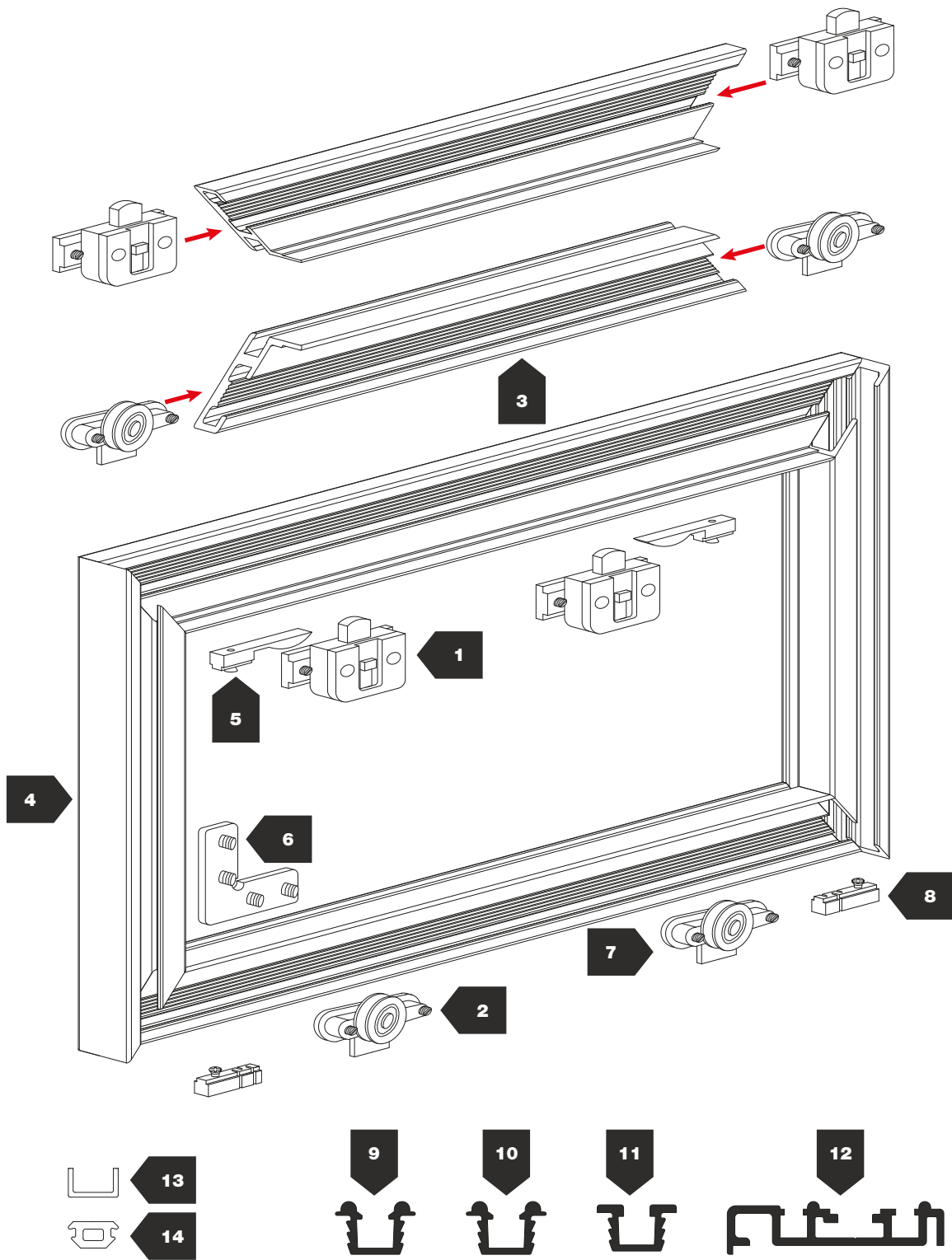


Scorribase Mini

Aluminum inner-doors / Model Mini
Ante interne in alluminio / Modello Mini

EN	Sliding system for small panels with aluminium frame
IT	Sistema di scorrevoli per antine con telaio in alluminio
FR	Système de rails coulissants pour petites portes avec châssis en aluminium
DE	Schiebesystem für Türen mit Aluminiumrahmen
ES	Sistema de correderas para puertas con marco de aluminio





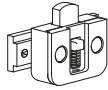
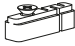
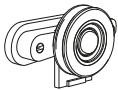







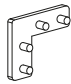

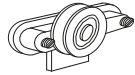

Max 29 mm




10 ÷ 20 kg

Aluminum inner-doors model Mini / Ante interne in alluminio modello Mini
 Portes intérieures en aluminium modèle Mini / Innentüren aus Aluminium
 Modell Mini / Puertas internas de aluminio modelo Mini


Scorribase Mini

N°	Barcode	Image	KG		N°	Barcode	Image	KG	
1	458		10÷20		8	410		10÷20	
2	456		10		9	402		10÷20	
3	452		10÷20		10	401		10÷20	
4	450		10÷20		11	420		10÷20	
5	414		10÷20		12	360		10÷20	
6	446		10÷20		13	459		10÷20	
7	455		20		14	368		10÷20	

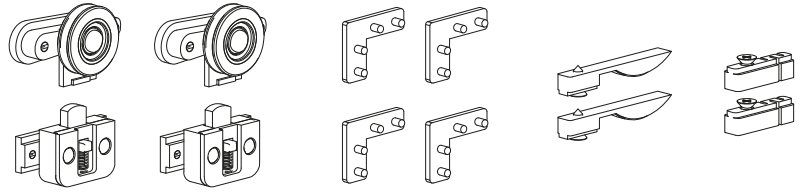
Scoribase Mini

 Kit for N.1 door
Kit per N.1 anta

 Internal door
Anta interna

 Max height 1200 mm
Altezza max. 1200 mm

KIT



CODE

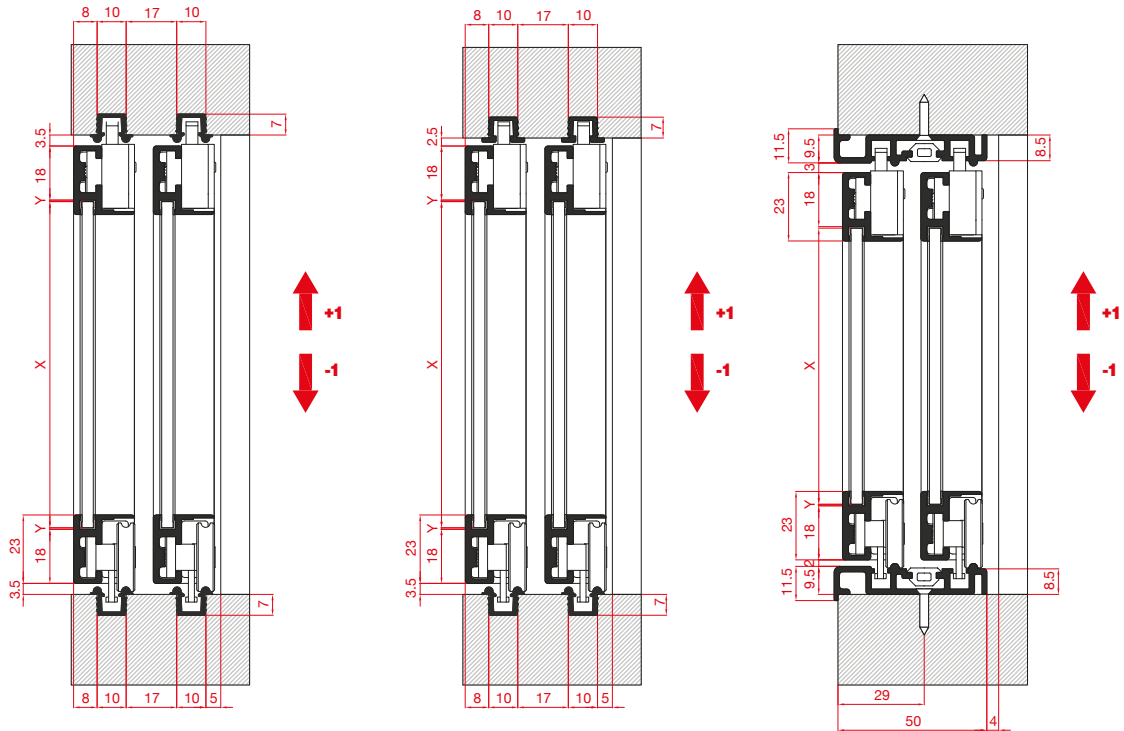
456-458/T



10 kg

455-458/T

20 kg



ALUMINIUM TRACKS BINARI IN ALLUMINIO



ART. 420

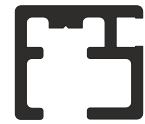
ALUMINIUM TRACKS BINARI IN ALLUMINIO



ART. 401



ART. 360



ART. 450



ART. 452

PLASTIC TRACKS BINARI IN PLASTICA



ART. 402

ACCESSORIES / ACCESSORI



REDUCTION FROM 5 TO 4 mm
RIDUZIONE DA 5 A 4 mm

ART. 459



GASKET / GUARNIZIONE

ART. 368

Slides for aluminium standard doors / Scorrevoli per ante in alluminio standard / Coulisses pour portes standard en aluminium / Schlitten für Standardtüren aus Aluminium / Elem. de deslizamiento para puertas estándares de aluminio

Scorribase Mini

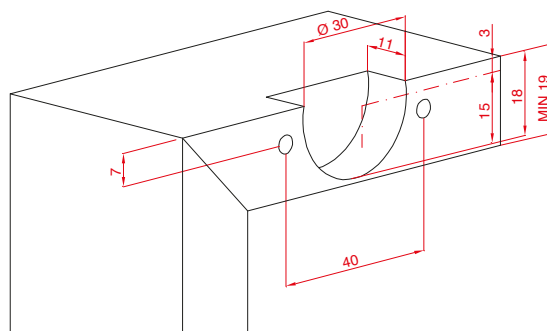
SLIDES FOR ALUMINIUM STANDARD DOORS (MAX. THICKNESS: 29 mm) SCORREVOLI PER ANTE IN ALLUMINIO STANDARD (SPESSORE MAX: 29 mm)

ALUMINIUM TRACK BINARIO IN ALLUMINIO						CAP FOR ART.394 TAPPO PER ART.394
ART. 401	ART. 411	ART. 360	ART. 394	ART. 420	ART. 421	ART. 397/A
ALUMINIUM COVER COPERTURA IN ALLUMINIO	SPRING GUIDE GUIDA A MOLLA		UPPER LOCK FERMO SUPERIORE	LOWER LOCK FERMO INFERIORE	GASKET GUARNIZIONE	ANTI-DUST BRUSH 5x7 SPAZZOLINO PARAPOLVERE 5x7
ART. 390	ART. 478	ART. 475	ART. 414	ART. 410	ART. 368	ART. 419/7
SCREW 4x60 VITE 4x60	SCREW 4x35 VITE 4x35	PLASTIC SLIDE SCORREVOLE IN PLASTICA		METAL SLIDE SCORREVOLE IN METALLO		GASKET FOR ART.1200 GUARNIZIONE PER ART.1200
ART. 387	ART. 385	ART. 474	ART. 476	ART. 494	ART. 496	ART. 1222

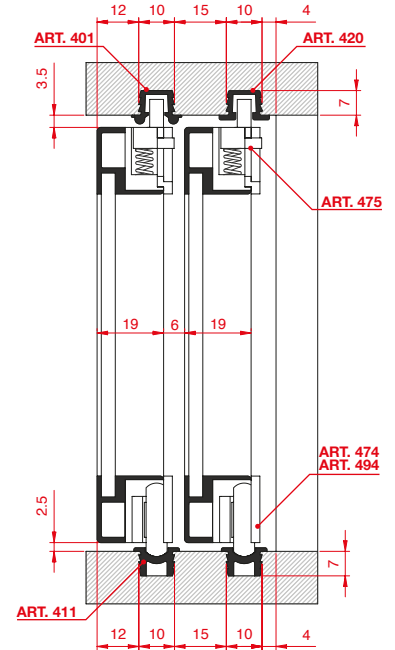
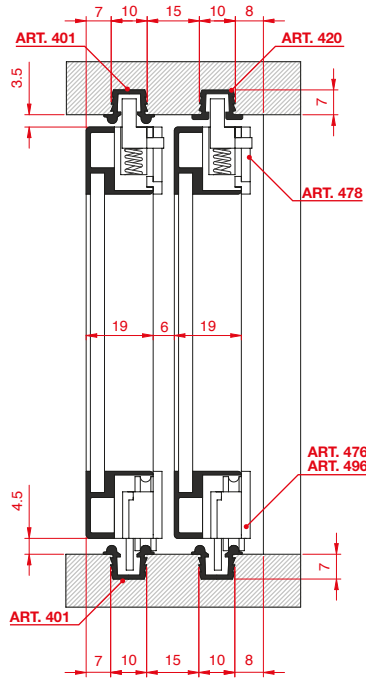
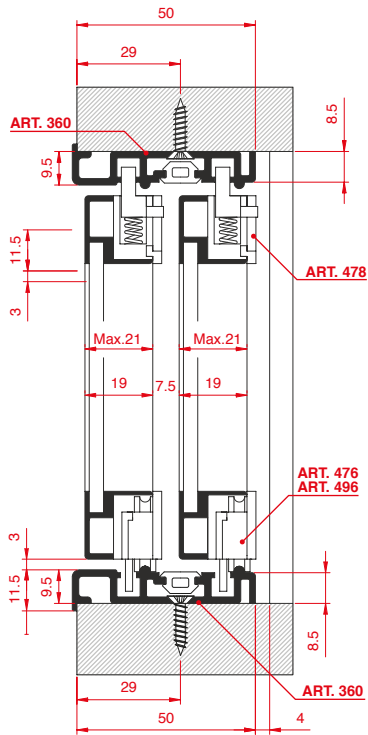
SLIDES FOR ALUMINIUM STANDARD DOORS SCORREVOLI PER ANTE IN ALLUMINIO STANDARD

ART. 478	ART. 475
PLASTIC / PLASTICA	
ART. 476	ART. 474
METAL / METALLO	
ART. 496	ART. 494

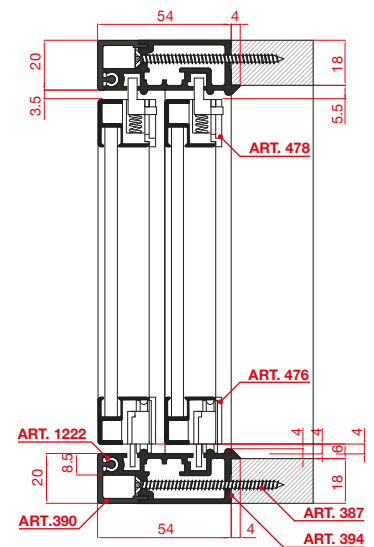
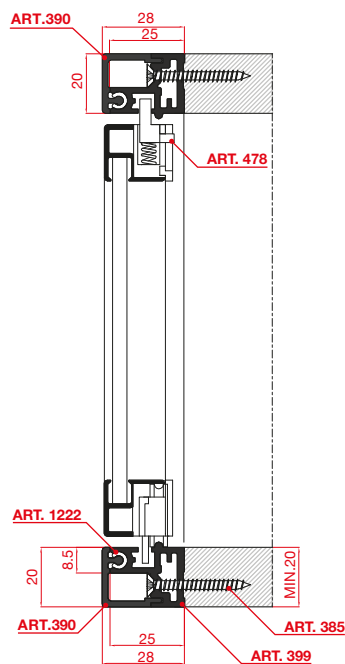
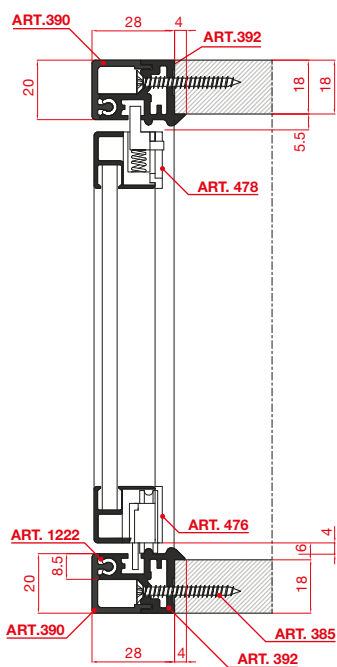
DIAGRAM FOR DRILLING OF HOLES SCHEMA DI FORATURA



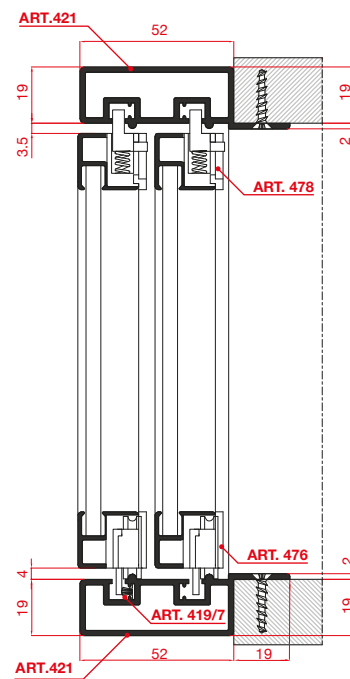
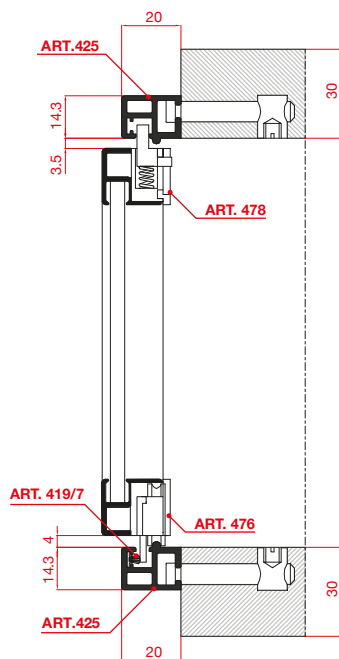
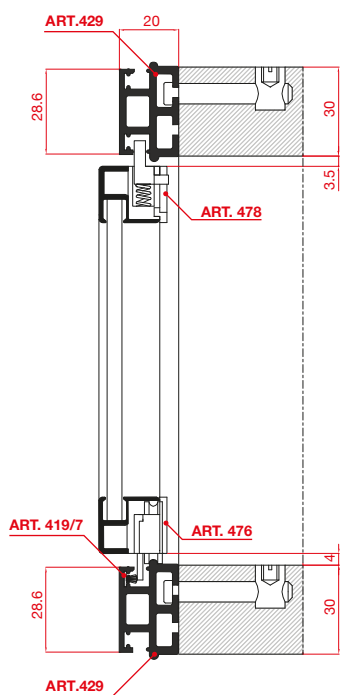
INTERNAL OVERLAPPED DOORS / ANTE INTERNE SOVRAPPOSTE



EXTERNAL OVERLAPPED DOORS / ANTE ESTERNE SOVRAPPOSTE



EXTERNAL OVERLAPPED DOORS / ANTE ESTERNE SOVRAPPOSTE



OPTIONAL

ART. 419/7



www.ternoscorrevoli.com/scorribase-mini