

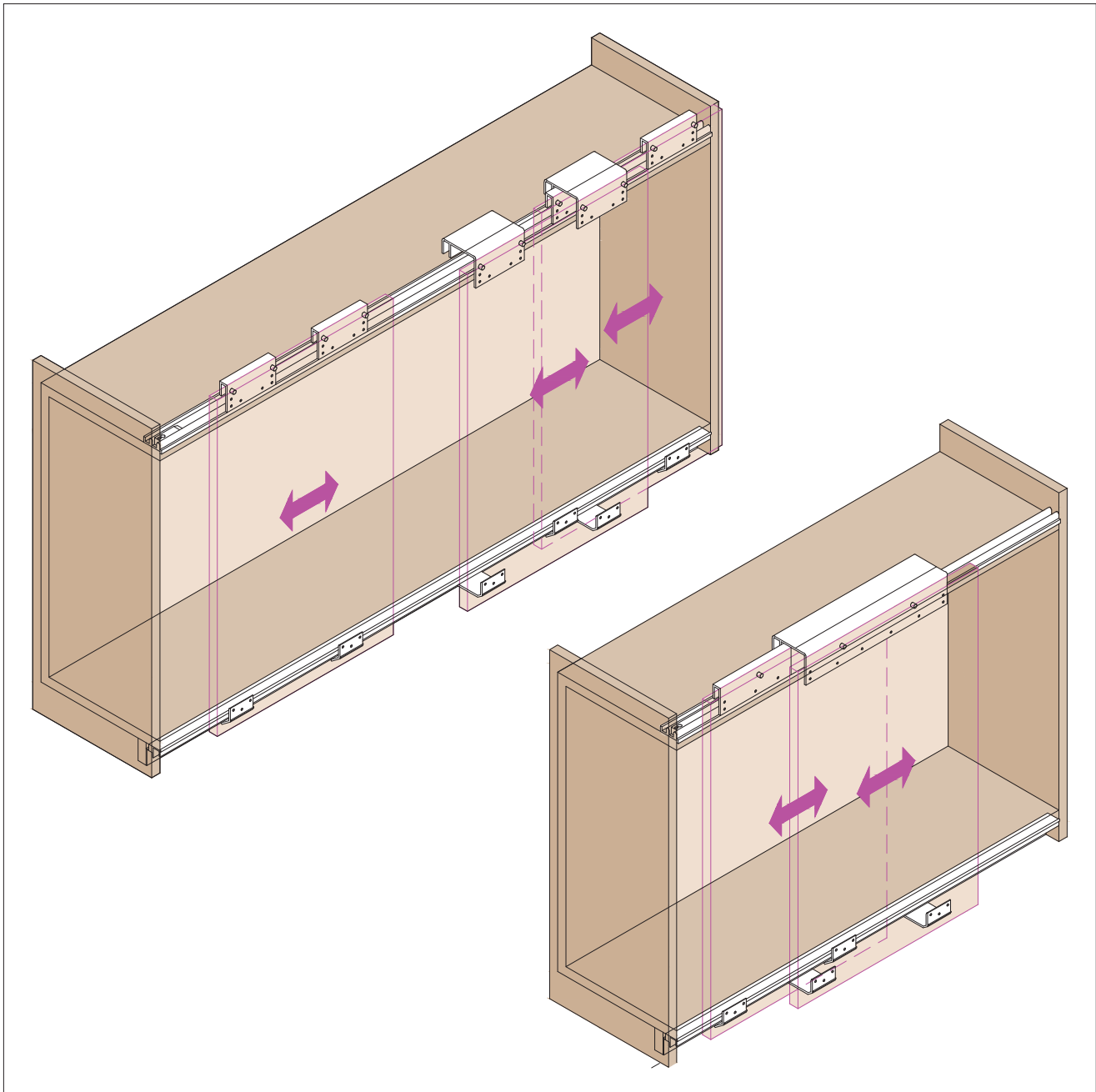
Furniture accessories

# CAMERON EXPORT

SLIDING SYSTEM MASTER UNIVERSAL

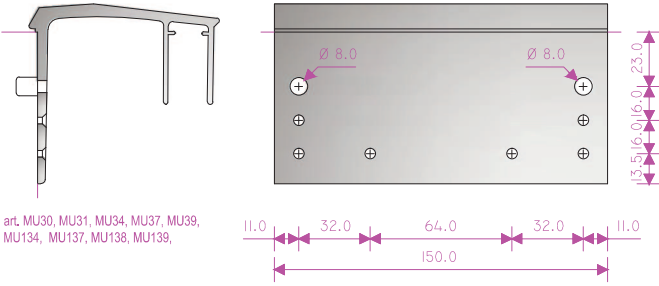
**TRADITIONAL  
SLIDING  
SYSTEM**

- traditional sliding system for wardrobes with not-aligned doors;
- being modular, the system, which varies according to the load it can carry, lends itself to creating numerous versions with many different uses;
- rails made of anodised aluminium;
- the weight of the doors is leaned to the upper rail;
- automatic insertion with deadlatch of the base of the doors;
- great easy in the adjustment of the height and the door's verticality;
- sliding truck equipped with antilifeeting device;
- FITTED WITH NEW SHOCK-ABSORBERS TO SLOW DOWN AND STOP THE DOOR.



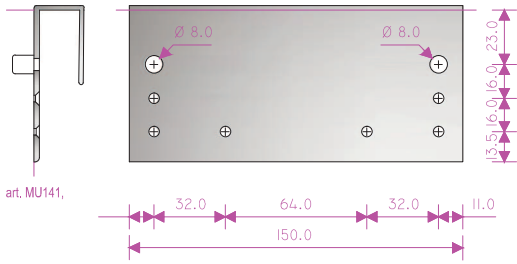
PERFORATION DESIGN FOR THE DOORS

External upper truck H70



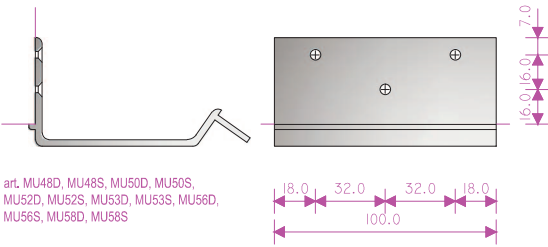
art. MU30, MU31, MU34, MU37, MU39, MU134, MU137, MU138, MU139,

Internaie upper truck H70



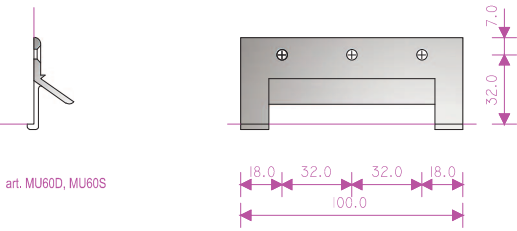
art. MU141,

External lower slider H17



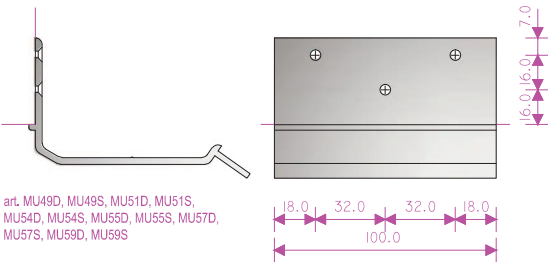
art. MU48D, MU48S, MU50D, MU50S, MU52D, MU52S, MU53D, MU53S, MU56D, MU56S, MU58D, MU58S

Internal lower slider H17



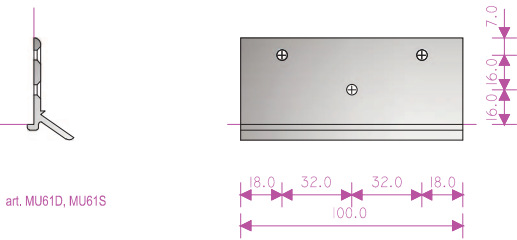
art. MU60D, MU60S

External lower slider H33

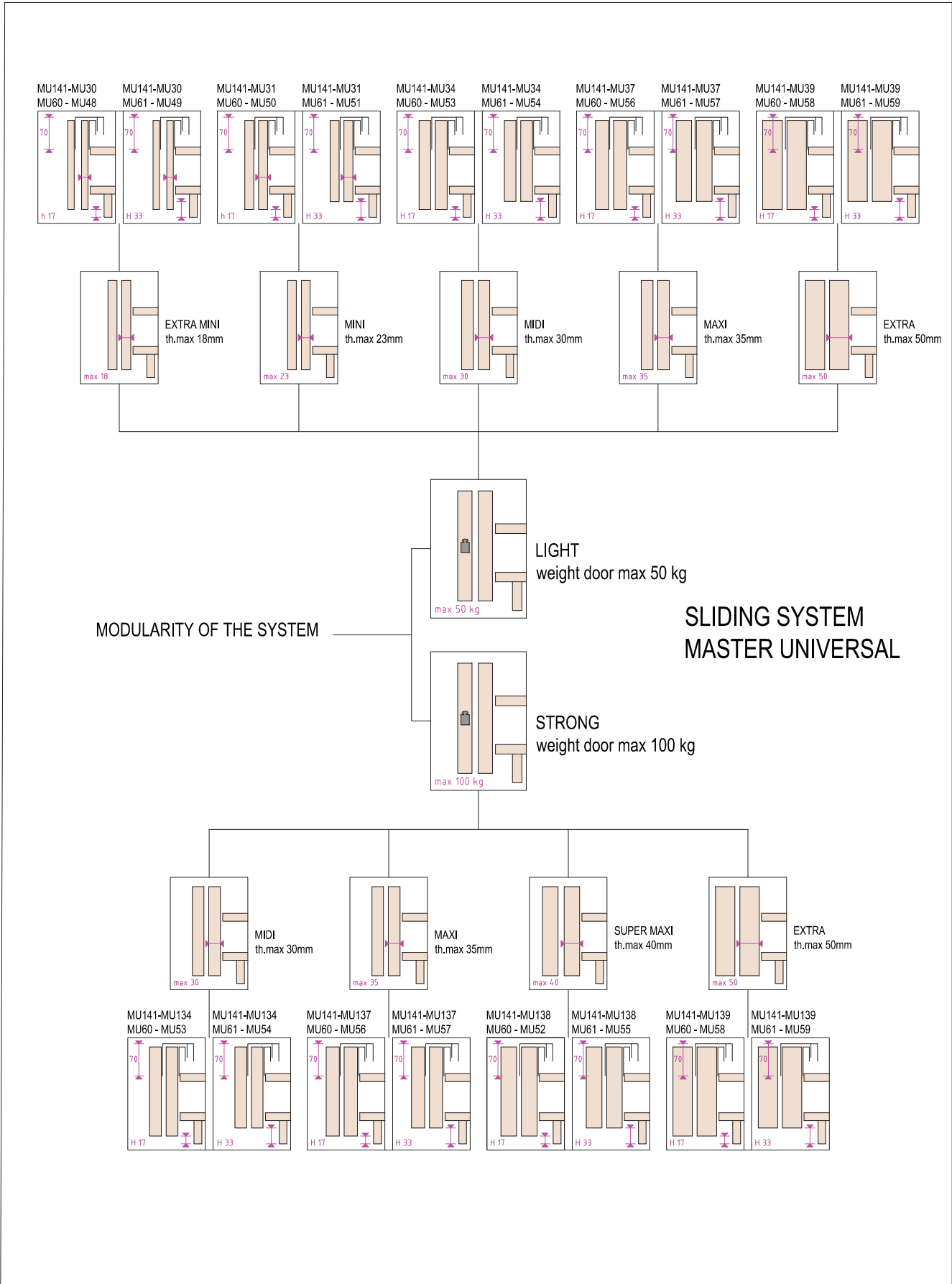



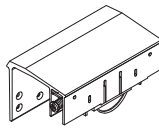
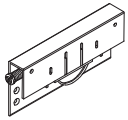
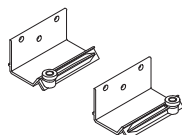
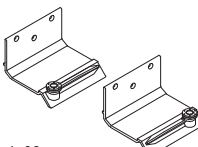
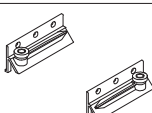
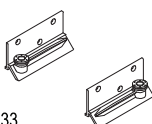

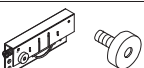
art. MU49D, MU49S, MU51D, MU51S, MU54D, MU54S, MU55D, MU55S, MU57D, MU57S, MU59D, MU59S

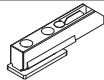

Internal lower slider H33

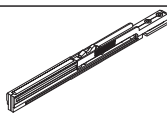


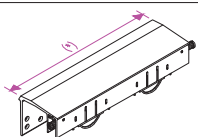
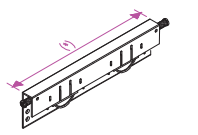
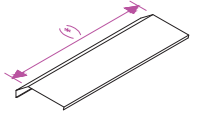
art. MU61D, MU61S



 max 50 Kg - th. 18 mm		Item code	Pieces kit for 2 doors	Pieces kit for 3 doors	Finishing		
Set						H.17	H.33
2 doors							
3 doors							
External upper truck		MU30	2	2	anodized aluminum		
Internal upper truck		MU141	2	4	anodized aluminum		
External lower slider H.17	 h.17	MU48D MU48S	1 1	1 1	anodized aluminum		
External lower slider H.33	 h.33	MU49D MU49S	1 1	1 1	anodized aluminum		
Internal lower slider H.17	 h.17	MU60D MU60S	1 1	2 2	anodized aluminum		
Internal lower slider H.33	 h.33	MU61D MU61S	1 1	2 2	anodized aluminum		
Block		MUT	4	4			
Rubber stop between the doors		MM95					

Upper stopper		MU92	4	4			
Lower stopper		ML93	4	4			

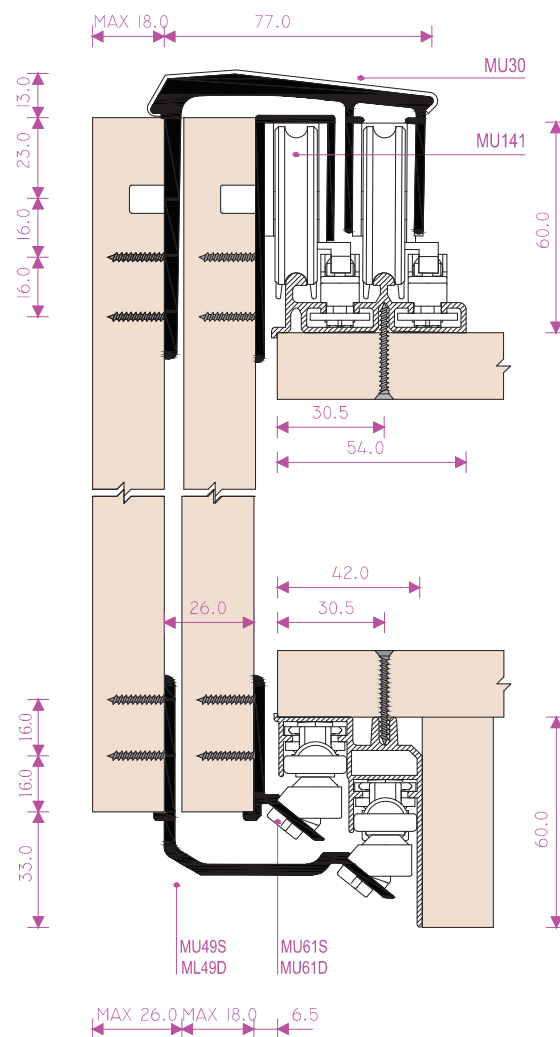
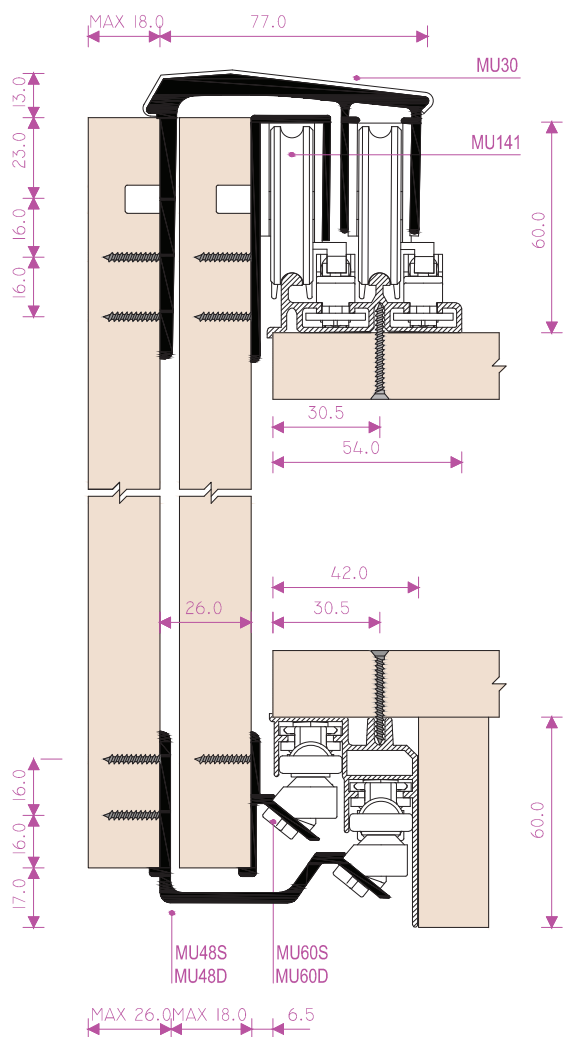
Soft closing upper stopper		MUC92	4	6			


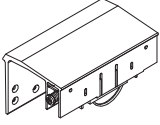
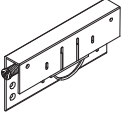
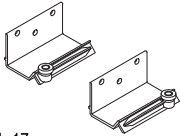
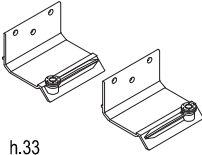
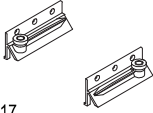
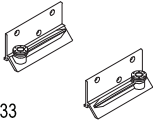

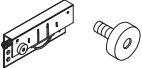
max 50 Kg - th. 18 mm		Item code	Pieces kit for 2 door	Pieces kit for 3 doors	Finishing		
Set						H.17	H.33
2 doors							
3 doors							
External upper truck		MU30 mm.	1	1	anodized aluminum		
Internal upper truck		MU141 mm.	1	2	anodized aluminum		
Dust-cover for external door		ML71 mm.	1	1	anodized aluminum		

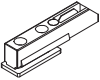

\*made-to-measure

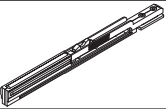
max 50 Kg

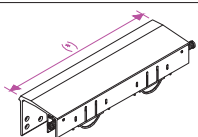
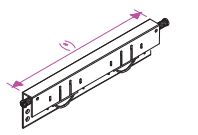
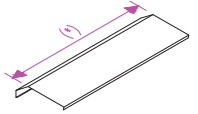
max 50 Kg



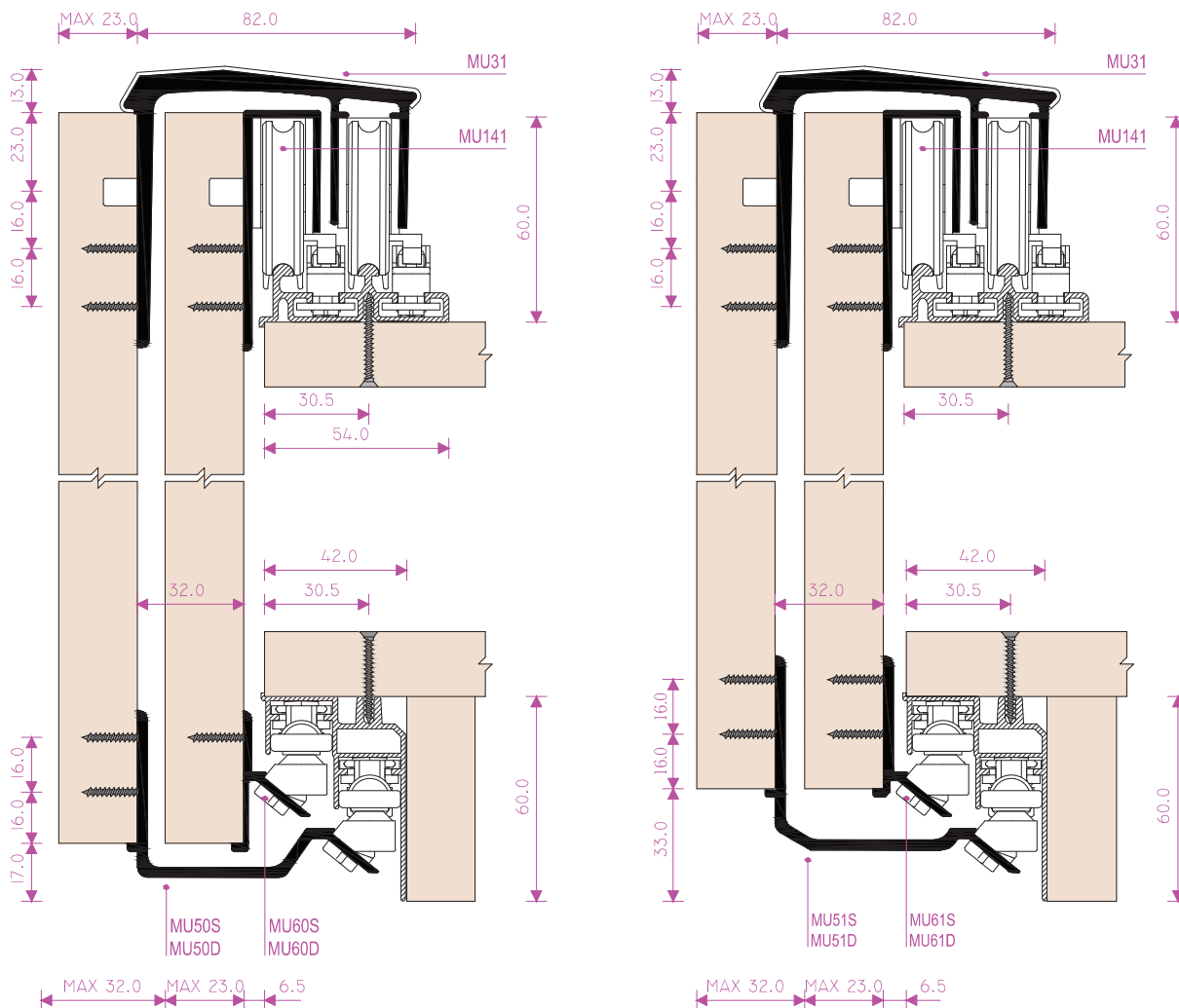
 max 50 Kg - th. 23 mm		Item code	Pieces kit for 2 doors	Pieces kit for 3 doors	Finishing		
Set						H.17	H.33
2 doors							
3 doors							
External upper truck		MU31	2	2	anodized aluminum		
Internal upper truck		MU141	2	4	anodized aluminum		
External lower slider H.17	 h.17	MU50D MU50S	1 1	1 1	anodized aluminum		
External lower slider H.33	 h.33	MU51D MU51S	1 1	1 1	anodized aluminum		
Internal lower slider H.17	 h.17	MU60D MU60S	1 1	2 2	anodized aluminum		
Internal lower slider H.33	 h.33	MU61D MU61S	1 1	2 2	anodized aluminum		
Block		MUT	4	4			
Rubber stop between the doors		MM95					

Upper stopper		MU92	4	4			
Lower stopper		ML93	4	4			


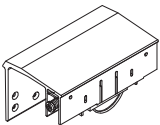
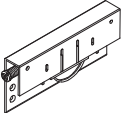
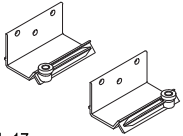
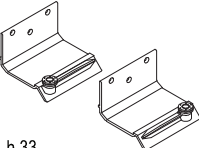
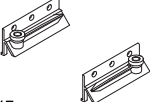
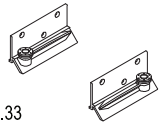

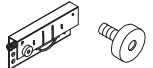
Soft closing upper stopper		MUC92	4	6			

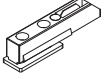

max 50 Kg - th. 23 mm		Item code	Pieces kit for 2 door	Pieces kit for 3 doors	Finishing		
Set						H.17	H.33
2 doors							
3 doors							
External upper truck		MU31 mm.	1	1	anodized aluminum		
Internal upper truck		MU141 mm.	1	2	anodized aluminum		
Dust-cover for external door		ML70 mm.	1	1	anodized aluminum		


\*made-to-measure

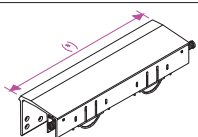
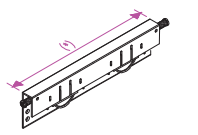
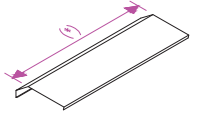




 max 50 Kg - th. 30 mm		Item code	Pieces kit for 2 doors	Pieces kit for 3 doors	Finishing		
Set						H.17	H.33
2 doors							
3 doors							
External upper truck		MU34	2	2	anodized aluminum		
Internal upper truck		MU141	2	4	anodized aluminum		
External lower slider H.17	 h.17	MU53D MU53S	1 1	1 1	anodized aluminum		
External lower slider H.33	 h.33	MU54D MU54S	1 1	1 1	anodized aluminum		
Internal lower slider H.17	 h.17	MU60D MU60S	1 1	2 2	anodized aluminum		
Internal lower slider H.33	 h.33	MU61D MU61S	1 1	2 2	anodized aluminum		
Block		MUT	4	4			
Rubber stop between the doors		MM95					

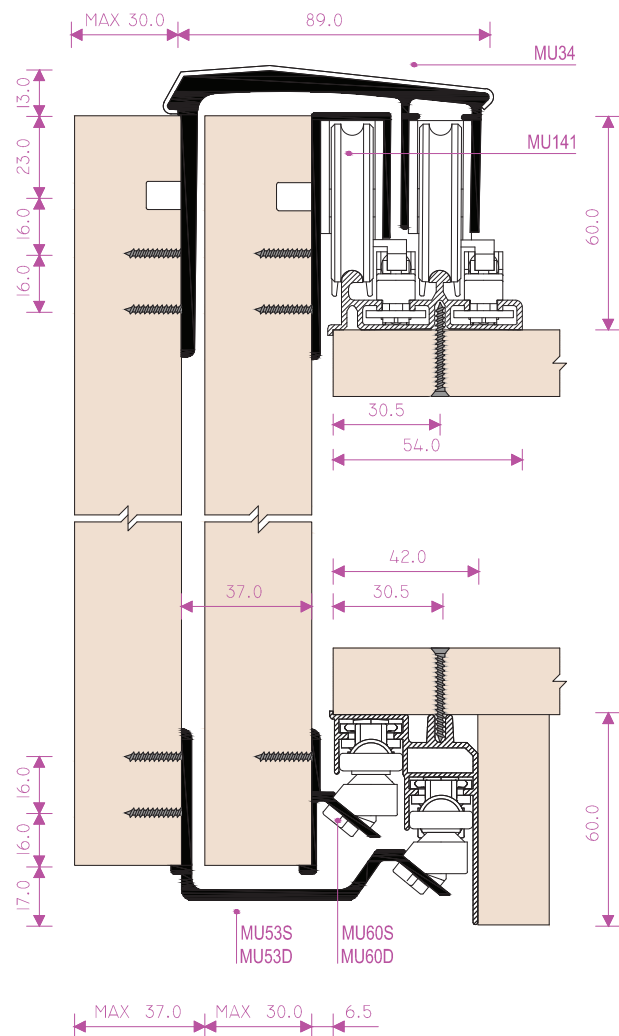
Upper stopper		MU92	4	4			
Lower stopper		ML93	4	4			

Soft closing upper stopper		MUC92	4	6			

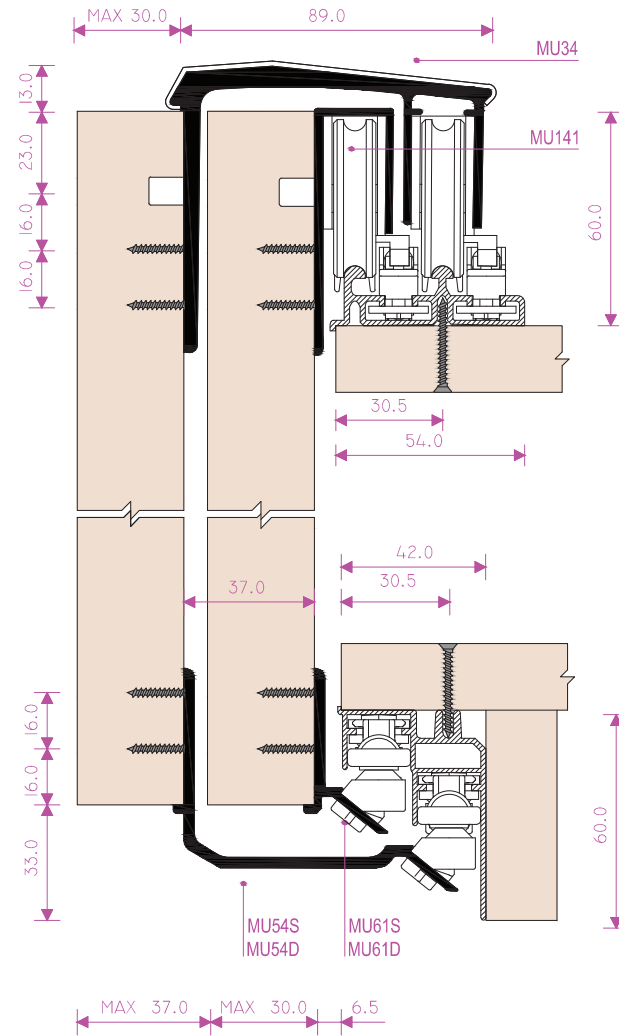
max 50 Kg - th. 30 mm		Item code	Pieces kit for 2 door	Pieces kit for 3 doors	Finishing		
Set						H.17	H.33
2 doors							
3 doors							
External upper truck		MU34 mm.	1	1	anodized aluminum		
Internal upper truck		MU141 mm.	1	2	anodized aluminum		
Dust-cover for external door		ML72 mm.	1	1	anodized aluminum		


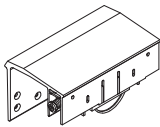
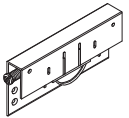
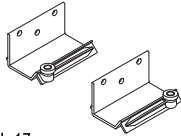
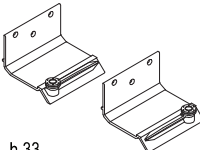
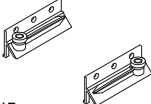
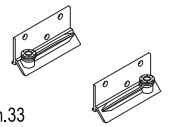

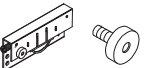
\*made-to-measure

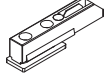

max 50 Kg

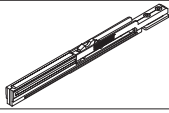


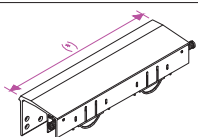
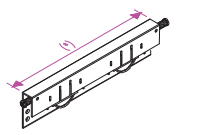
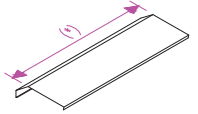
max 50 Kg



 max 50 Kg - th. 35 mm		Item code	Pieces kit for 2 doors	Pieces kit for 3 doors	Finishing		
Set						H.17	H.33
2 doors							
3 doors							
External upper truck		MU37	2	2	anodized aluminum		
Internal upper truck		MU141	2	4	anodized aluminum		
External lower slider H.17	 h.17	MU56D MU56S	1 1	1 1	anodized aluminum		
External lower slider H.33	 h.33	MU57D MU57S	1 1	1 1	anodized aluminum		
Internal lower slider H.17	 h.17	MU60D MU60S	1 1	2 2	anodized aluminum		
Internal lower slider H.33	 h.33	MU61D MU61S	1 1	2 2	anodized aluminum		
Block		MUT	4	4			
Rubber stop between the doors		MM95					

Upper stopper		MU92	4	4			
Lower stopper		ML93	4	4			

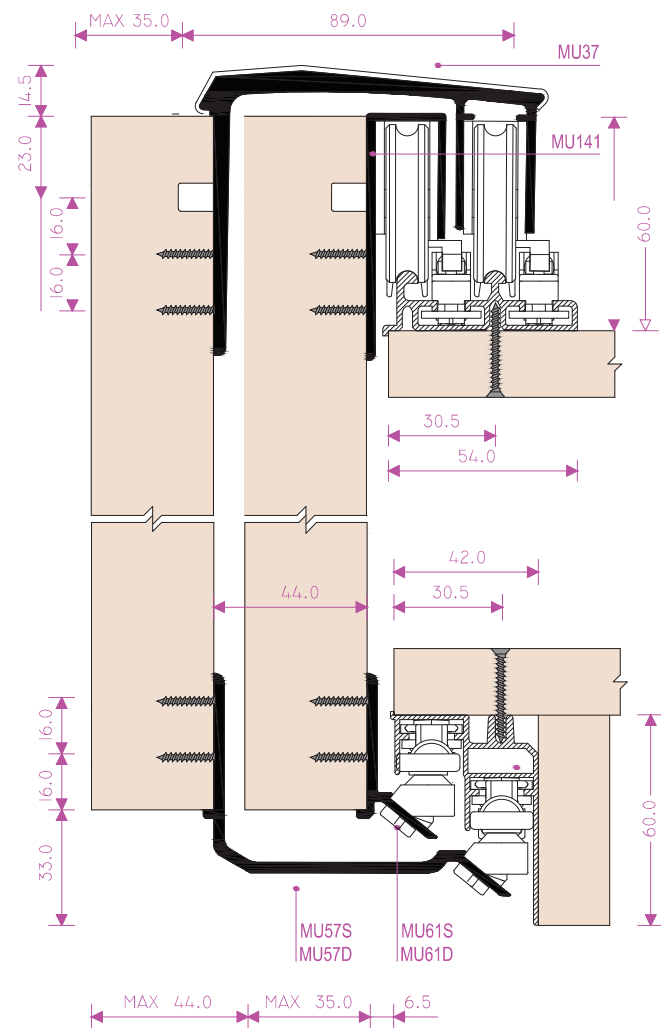
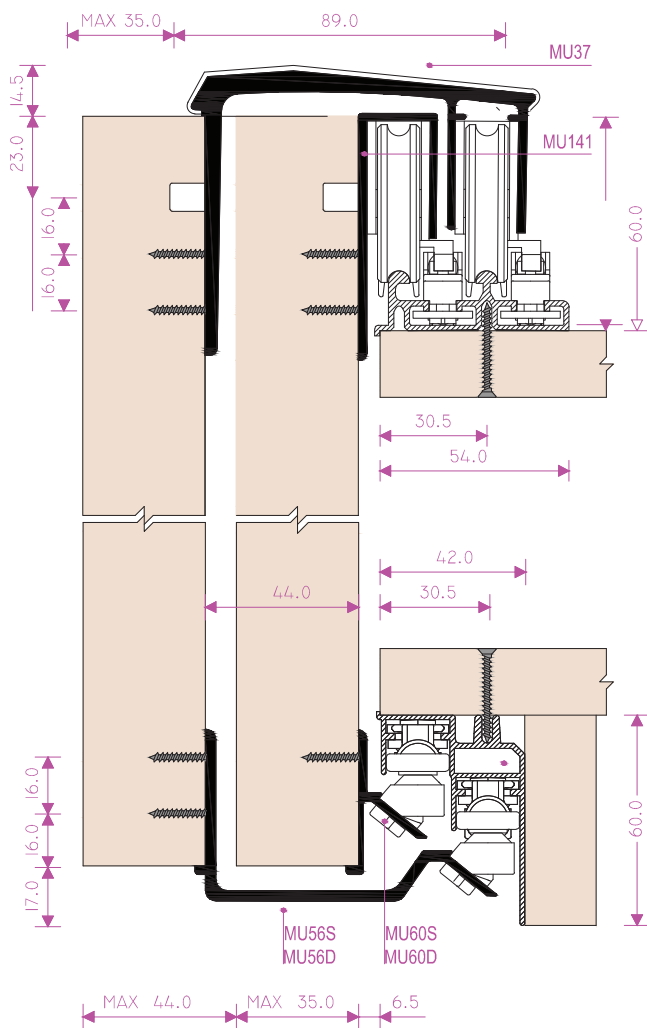
Soft closing upper stopper		MUC92	4	6			


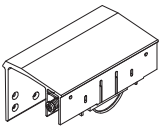
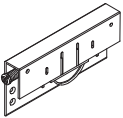
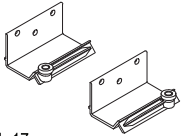
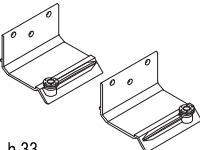
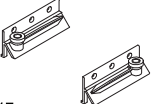
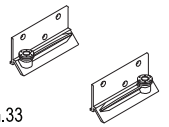

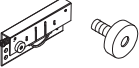
max 50 Kg - th. 35 mm		Item code	Pieces kit for 2 door	Pieces kit for 3 doors	Finishing		
Set						H.17	H.33
2 doors							
3 doors							
External upper truck		MU37 mm.	1	1	anodized aluminum		
Internal upper truck		MU141 mm.	1	2	anodized aluminum		
Dust-cover for external door		ML73 mm.	1	1	anodized aluminum		

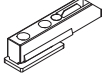
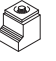
\*made-to-measure

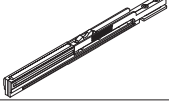
max 50 Kg

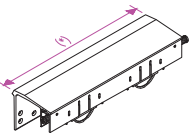
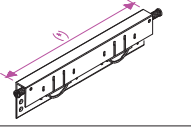
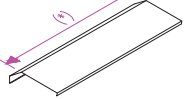
max 50 Kg



 max 50 Kg - th. 50 mm		Item code	Pieces kit for 2 doors	Pieces kit for 3 doors	Finishing		
Set						H.17	H.33
2 doors							
3 doors							
External upper truck		MU39	2	2	anodized aluminum		
Internal upper truck		MU141	2	4	anodized aluminum		
External lower slider H.17	 h.17	MU58D MU58S	1 1	1 1	anodized aluminum		
External lower slider H.33	 h.33	MU59D MU59S	1 1	1 1	anodized aluminum		
Internal lower slider H.17	 h.17	MU60D MU60S	1 1	2 2	anodized aluminum		
Internal lower slider H.33	 h.33	MU61D MU61S	1 1	2 2	anodized aluminum		
Block		MUT	4	4			
Rubber stop between the doors		MM95					

Upper stopper		MU92	4	4			
Lower stopper		ML93	4	4			

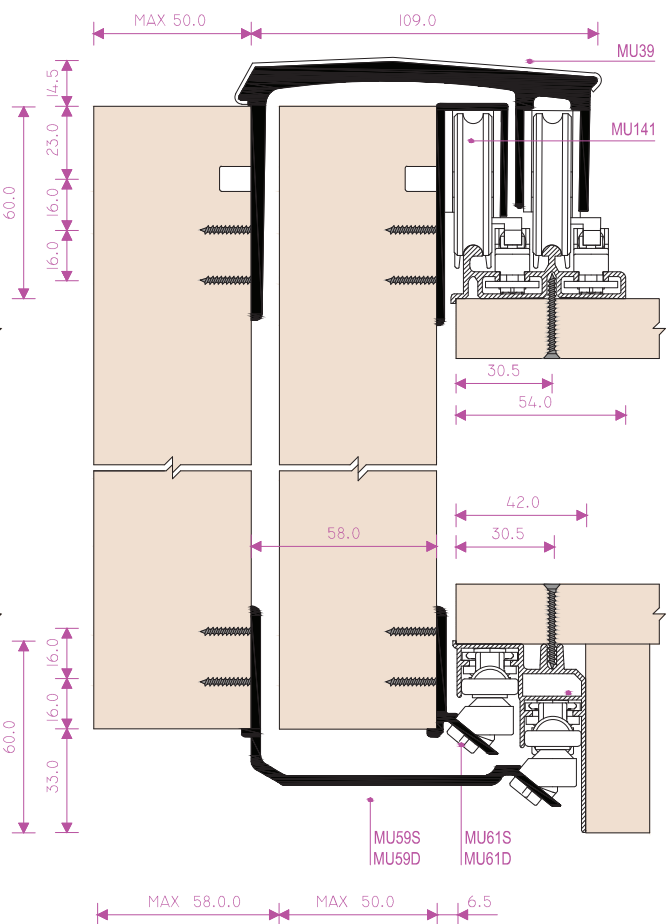
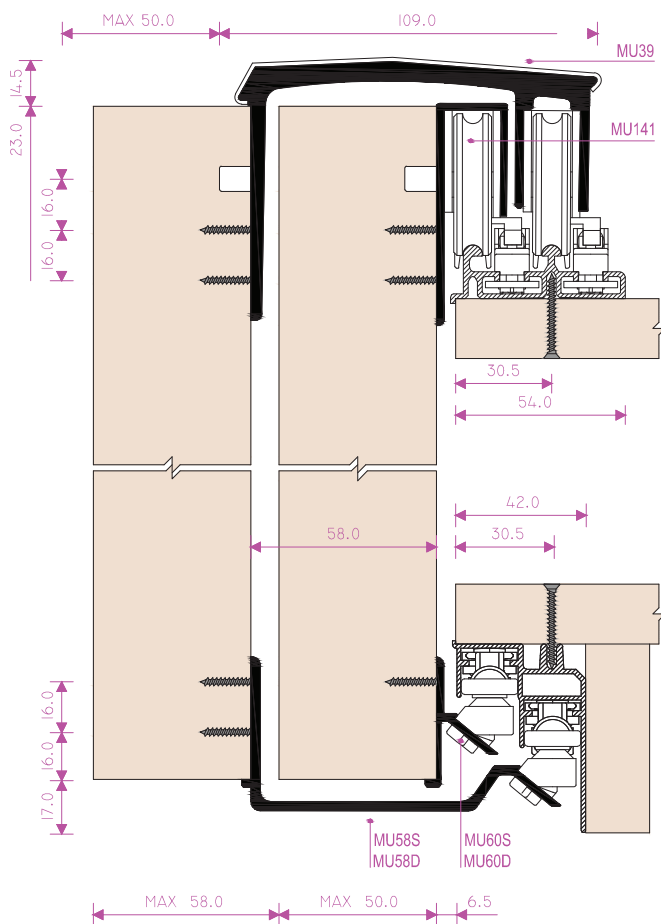
Soft closing upper stopper		MUC92	4	6			


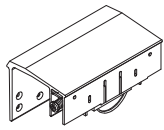
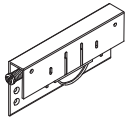
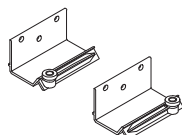
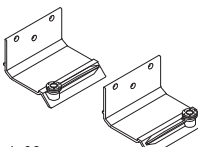
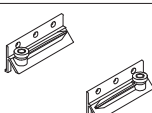
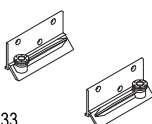

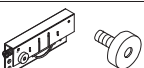
max 50 Kg - th. 50 mm		Item code	Pieces kit for 2 door	Pieces kit for 3 doors	Finishing		
Set						H.17	H.33
2 doors							
3 doors							
External upper truck		MU39 mm.	1	1	anodized aluminum		
Internal upper truck		MU141 mm.	1	2	anodized aluminum		
Dust-cover for external door		ML75 mm.	1	1	anodized aluminum		

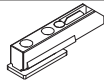

\*made-to-measure

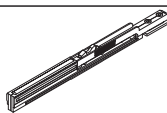
max 50 Kg

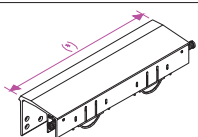
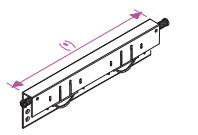
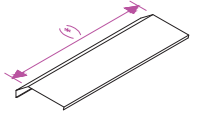
max 50 Kg



 max 100 Kg - th. 30 mm.		Item code	Pieces kit for 2 doors	Pieces kit for 3 doors	Finishing		
Set						H.17	H.33
2 doors							
3 doors							
External upper truck		MU134	2	2	anodized aluminum		
Internal upper truck		MU141	2	4	anodized aluminum		
External lower slider H.17	 h.17	MU53D MU53S	1 1	1 1	anodized aluminum		
External lower slider H.33	 h.33	MU54D MU54S	1 1	1 1	anodized aluminum		
Internal lower slider H.17	 h.17	MU60D MU60S	1 1	2 2	anodized aluminum		
Internal lower slider H.33	 h.33	MU61D MU61S	1 1	2 2	anodized aluminum		
Block		MUT	4	4			
Rubber stop between the doors		MM95					

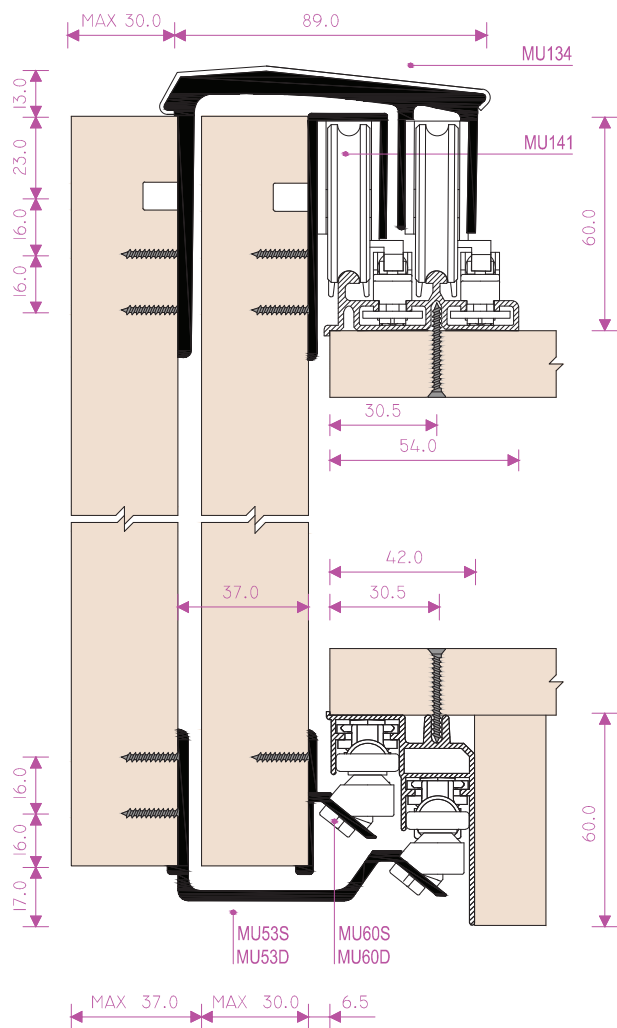
Upper stopper		MU92	4	4			
Lower stopper		ML93	4	4			

Soft closing upper stopper		MUC92	4	6			

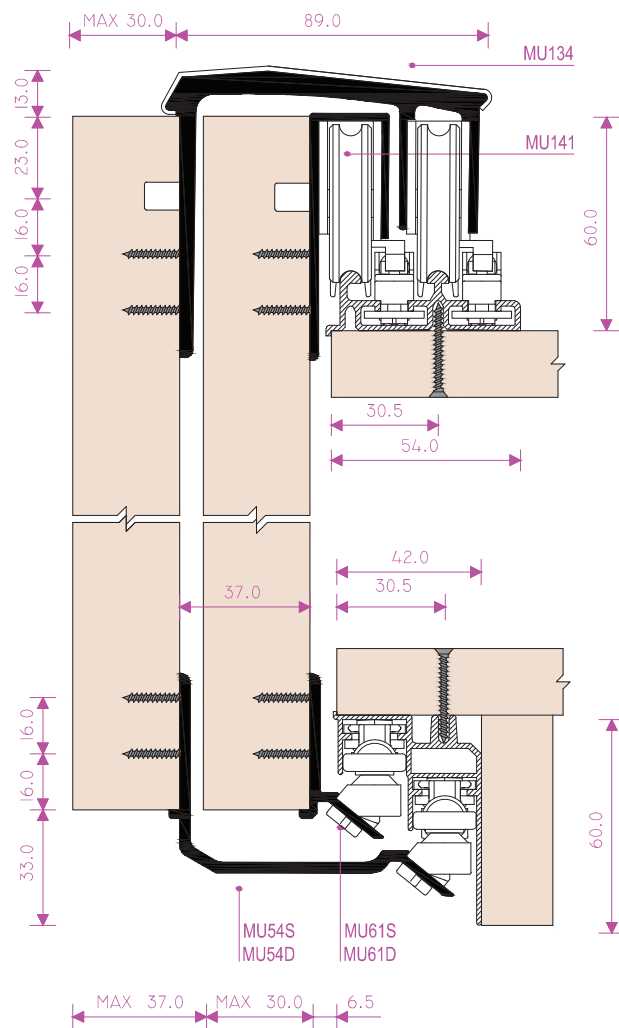
max 100 Kg - th. 30 mm		Item code	Pieces kit for 2 door	Pieces kit for 3 doors	Finishing		
Set						H.17	H.33
2 doors							
3 doors							
External upper truck		MU134 mm.	1	1	anodized aluminum		
Internal upper truck		MU141 mm.	1	2	anodized aluminum		
Dust-cover for external door		ML172 mm.	1	1	anodized aluminum		

\*made-to-measure


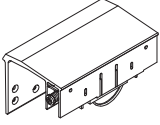
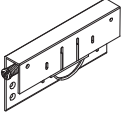
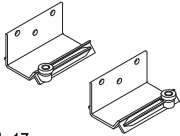
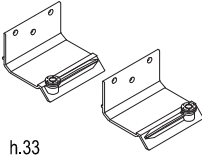
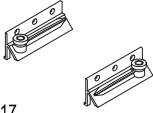
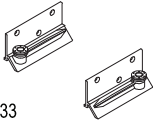

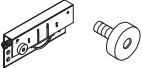
max 100 Kg

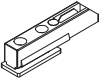



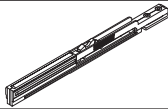
max 100 Kg

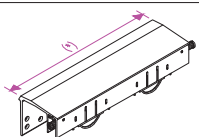
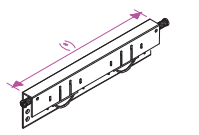
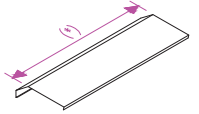




 max 100 Kg - th. 35 mm		Item code	Pieces kit for 2 doors	Pieces kit for 3 doors	Finishing		
Set						H.17	H.33
2 doors							
3 doors							
External upper truck		MU137	2	2	anodized aluminum		
Internal upper truck		MU141	2	4	anodized aluminum		
External lower slider H.17	 h.17	MU56D MU56S	1 1	1 1	anodized aluminum		
External lower slider H.33	 h.33	MU57D MU57S	1 1	1 1	anodized aluminum		
Internal lower slider H.17	 h.17	MU60D MU60S	1 1	2 2	anodized aluminum		
Internal lower slider H.33	 h.33	MU61D MU61S	1 1	2 2	anodized aluminum		
Block		MUT	4	4			
Rubber stop between the doors		MM95					

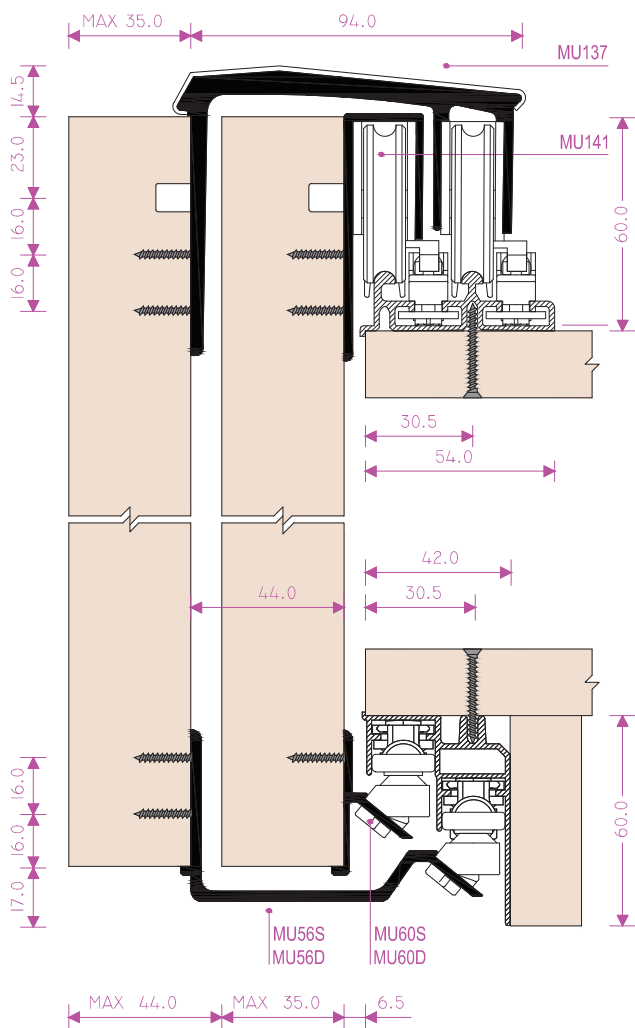
Upper stopper		MU92	4	4			
Lower stopper		ML93	4	4			

Soft closing upper stopper		MUC92	4	6			

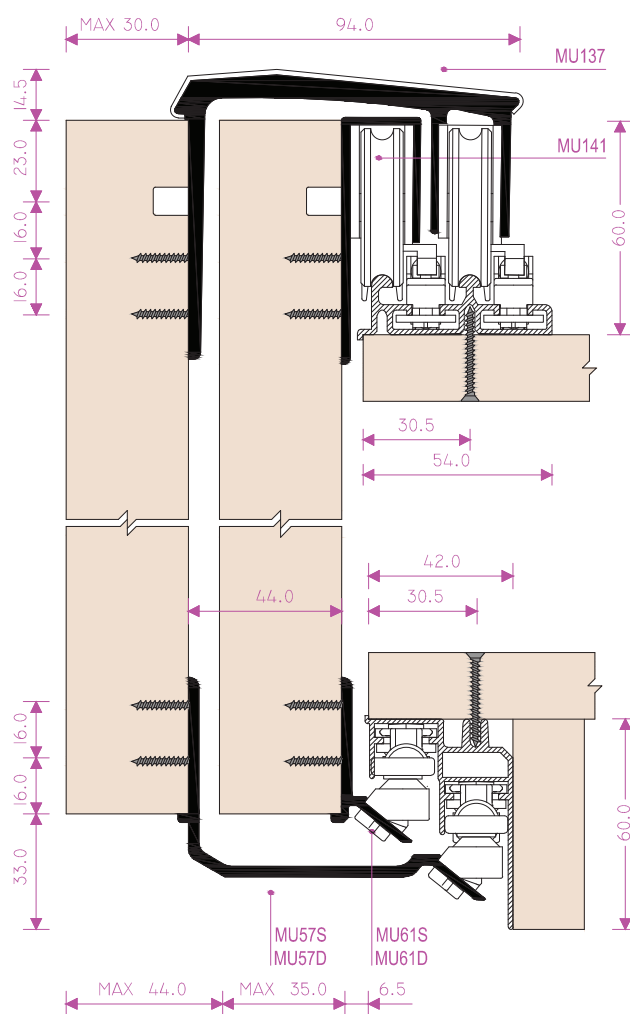
max 100 Kg - th. 35 mm		Item code	Pieces kit for 2 door	Pieces kit for 3 doors	Finishing		
Set						H.17	H.33
2 doors							
3 doors							
External upper truck		MU137 mm.	1	1	anodized aluminum		
Internal upper truck		MU141 mm.	1	2	anodized aluminum		
Dust-cover for external door		ML173 mm.	1	1	anodized aluminum		


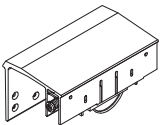
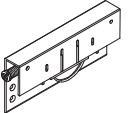
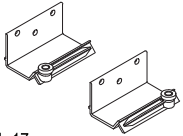
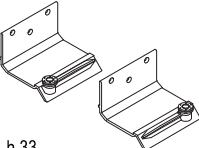
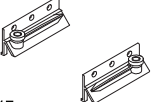
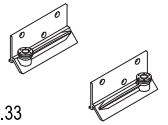

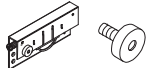
\*made-to-measure

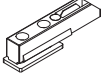

max 100 Kg




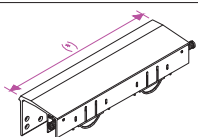
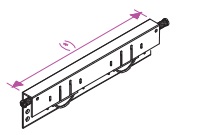
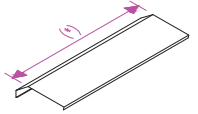
max 100 Kg



 max 100 Kg - th. 40 mm		Item code	Pieces kit for 2 doors	Pieces kit for 3 doors	Finishing		
Set						H.17	H.33
2 doors							
3 doors							
External upper truck		MU138	2	2	anodized aluminum		
Internal upper truck		MU141	2	4	anodized aluminum		
External lower slider H.17	 h.17	MU52D MU52S	1 1	1 1	anodized aluminum		
External lower slider H.33	 h.33	MU55D MU55S	1 1	1 1	anodized aluminum		
Internal lower slider H.17	 h.17	MU60D MU60S	1 1	2 2	anodized aluminum		
Internal lower slider H.33	 h.33	MU61D MU61S	1 1	2 2	anodized aluminum		
Block		MUT	4	4			
Rubber stop between the doors		MM95					

Upper stopper		MU92	4	4			
Lower stopper		ML93	4	4			

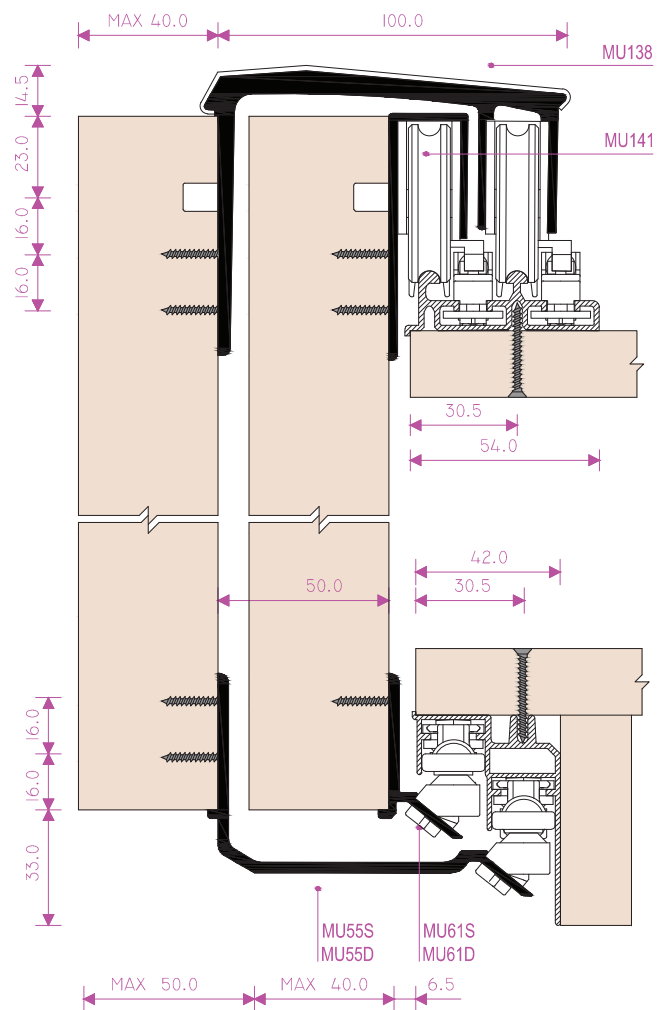
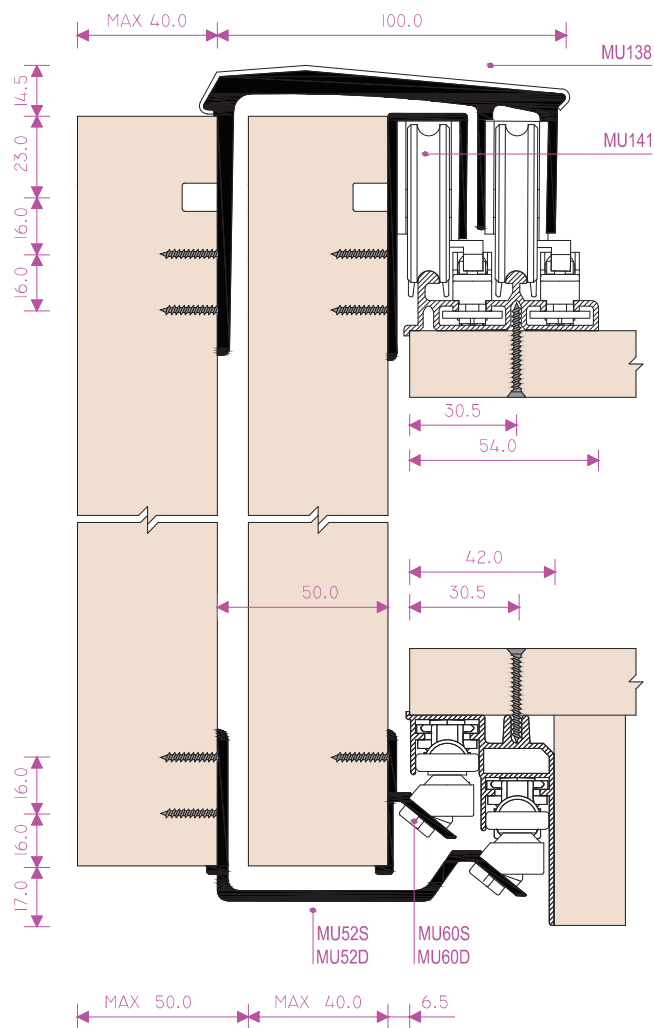
Soft closing upper stopper		MUC92	4	6			


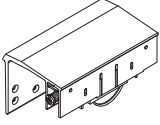
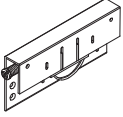
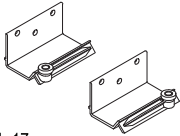
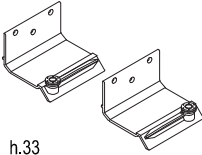
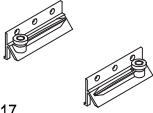
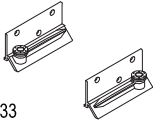

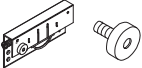
max 100 Kg - th. 40 mm.		Item code	Pieces kit for 2 door	Pieces kit for 3 doors	Finishing		
Set						H.17	H.33
2 doors							
3 doors							
External upper truck		MU138 mm.	1	1	anodized aluminum		
Internal upper truck		MU141 mm.	2	1	anodized aluminum		
Dust-cover for external door		ML174 mm.	1	1	anodized aluminum		

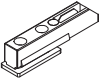

\*made-to-measure

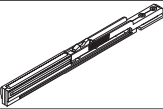
max 100 Kg

max 100 Kg



 max 100 Kg - th. 50 mm		Barcode articolo	Pezas kit Kit.2 doors	Pezas kit Kit.3 doors	Finishing		
Set						H.17	H.33
2 doors							
3 doors							
External upper truck		MU139	2	2	anodized aluminum		
Internal upper truck		MU141	2	4	anodized aluminum		
External lower slider H.17	 h.17	MU58D MU58S	1 1	1 1	anodized aluminum		
External lower slider H.33	 h.33	MU59D MU59S	1 1	1 1	anodized aluminum		
Internal lower slider H.17	 h.17	MU60D MU60S	1 1	2 2	anodized aluminum		
Internal lower slider H.33	 h.33	MU61D MU61S	1 1	2 2	anodized aluminum		
Block		MUT	4	4			
Rubber stop between the doors		MM95					

Upper stopper		MU92	4	4			
Lower stopper		ML93	4	4			

Soft closing upper stopper		MUC92	4	6			

max 100 Kg - th.50 mm		Item code	Pieces kit for 2 door	Pieces kit for 3 doors	Finishing		
Set						H.17	H.33
2 doors							
3 doors							
External upper truck		MU139 mm.	1	1	anodized aluminum		
Internal upper truck		MU141 mm.	1	2	anodized aluminum		
Dust-cover for external door		ML175 mm.	1	1	anodized aluminum		

\*made-to-measure

