

# 819 AS Z1 D1



DX  
SX



**New**



[www.camar.it/warning](http://www.camar.it/warning)



50



1500



100

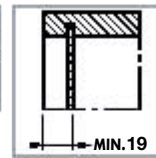


After assembly, verify that the anti-drop system has been activated.

Verificare dopo il montaggio l'avvenuta attivazione del sistema antisgancio.



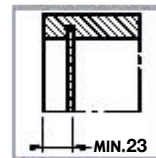
897 AS Z1 12 86 527



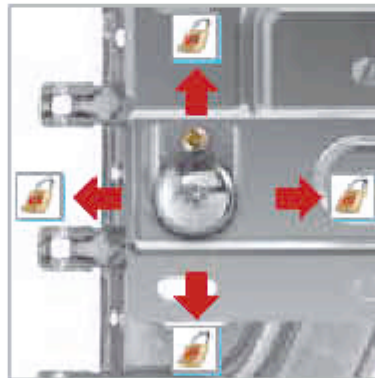
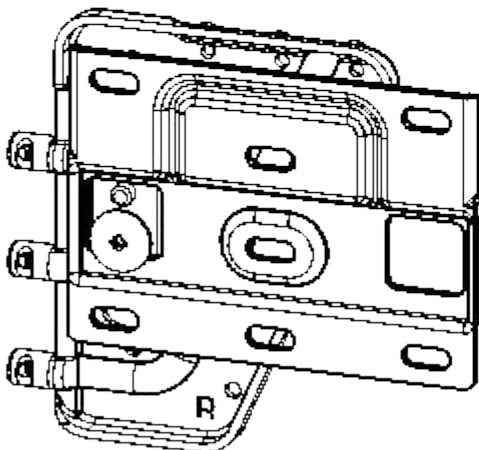
810 B4 45 12 488



810 B2 45 12 488



810 P0 45 12 489



3.0  
275

1

2

3

4

5

6

7

8

9

WARNING

1

2

3

4

5

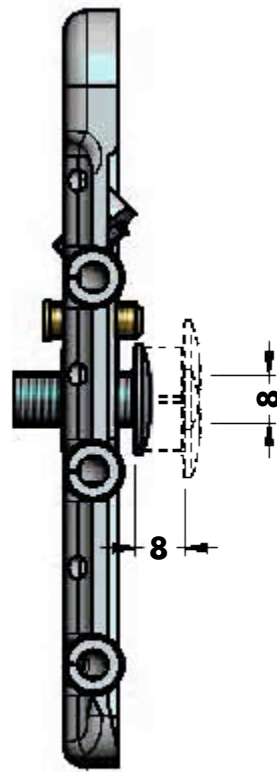
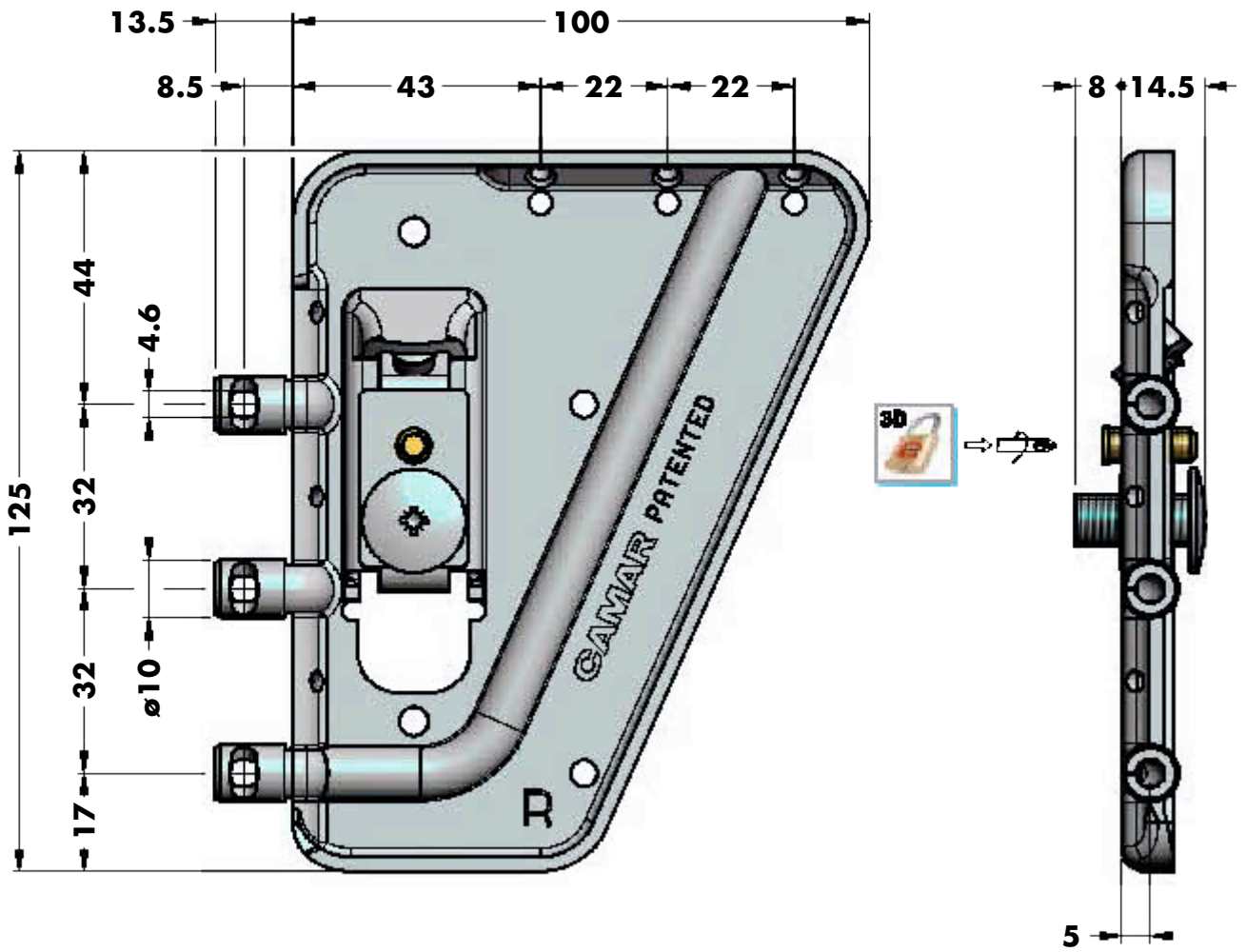
6

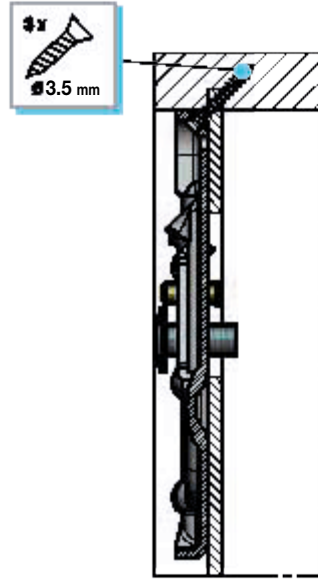
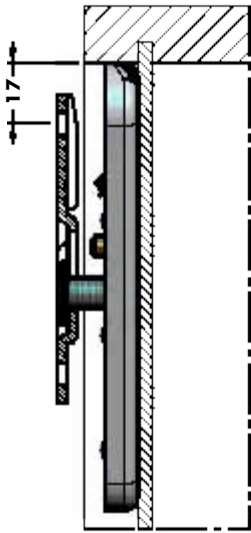
7

8

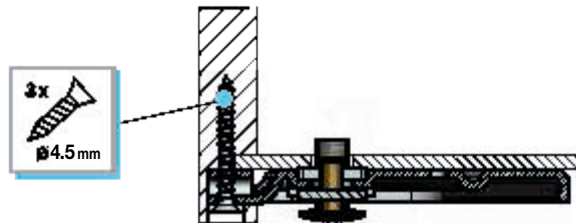
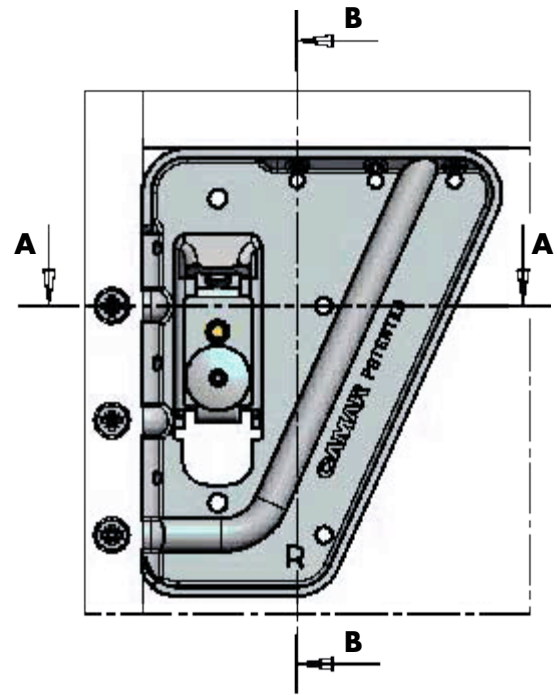
9

WARNING

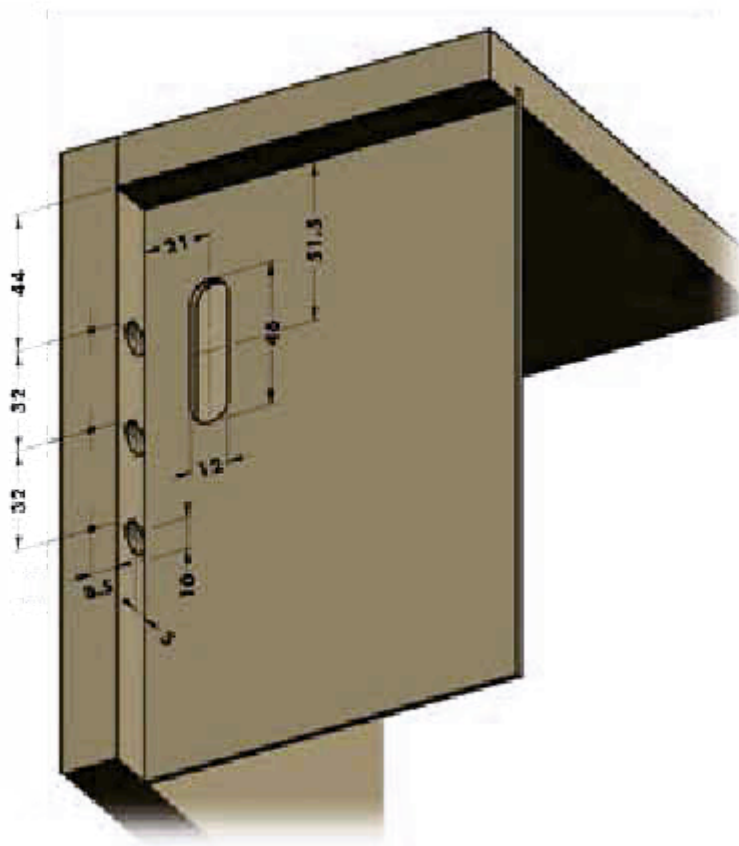




SEZ. B-B



SEZ. A-A



1

2

3

4

5

6

7

8

9

WARNING



Livellatori  
Levellers  
Höhenversteller  
Compensateurs  
Niveladores

1

1

Piedini  
Plinth legs  
Sockelfüße  
Pieds de socle  
Patas de zócalo

2

2

Reggipensili  
Hanging brackets for wall units  
Schrankaufhänger  
Systèmes d'accrochage  
Colgadores

3

3

Reggibase  
Base cabinet hanging brackets  
Unterschrankaufhänger  
Suspensions pour meubles bas  
Colgadores para muebles bajos

4

4

Reggipannelli  
Panel hanging brackets  
Paneelaufhänger  
Systèmes d'accrochage pour panneauage mural  
Colgador para paneles

5

Reggimensola  
Shelf supports  
Regalbodenträger  
Supports pour étagères  
Soportes de baldas

6

Gambe per tavoli  
Table legs  
Tischbeine  
Pieds de table  
Patas de mesa

7

Sistemi  
Systems  
Systeme  
Systèmes  
Sistemas

8

Accessori e complementi  
Accessories and fittings  
Zubehör und Ergänzungskomponenten  
Accessoires et compléments  
Accesorios y complementos

9

Carico massimo ammesso  
Nominal loading capacity  
Nennbelastbarkeit  
Charge maximale admissible  
Carga máxima admitida

WARNING

**ACAMAR®**  
the art of innovation



3.0  
279

1

2

3

4

5

6

7

8

9

WARNING



3.0  
280