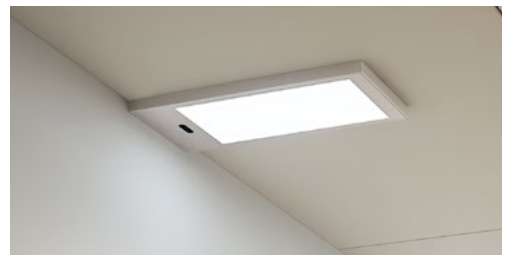
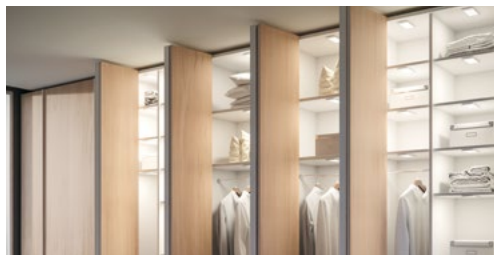




DOMUS Line®

K-PAD

K-PAD IR





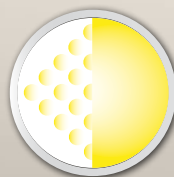
FLAT EDGE LED LUMINAIRE

K-PAD and K-PAD IR are LED panels with a thickness of only 8mm, designed for quick installation thanks to the slide bracket supplied. The devices integrate a special EDGE LED cluster which guarantees a wide projection beam and allows homogeneous illumination of the working surface. K-PAD is configured with a dimmer switch to regulate the intensity of light. K-PAD IR integrates a infrared proximity sensor for application inside compartments.

K-PAD

K-PAD IR

NO-DOT EFFECT LED LUMINAIRE



The device has a homogeneous and diffused light projection which is devoid of the speckled effect typical of traditional LED spotlights. K-PAD also integrates a special optic, which appears neutral and uniform even when the appliance is off.



K-PAD

design
DOMUS Line

Flat EDGE LED luminaire for under cabinet lighting

Materials:

thermoplastic polymers

Finishes:

aluminium, steel

Light sources:

SMD EDGE LED

Connector:

Micro24

Wiring:

2000mm

Application type:

under cabinet, under shelf

Installation:

on surface

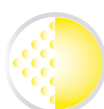
K-PAD



K-PAD SDM



K-PAD slave



NO-DOT EFFECT LED TECHNOLOGY

SCAN FOR
MORE INFO



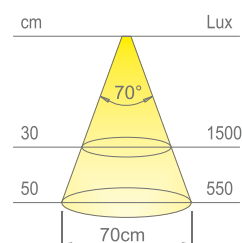
TECHNICAL DATA

Power supply	24Vdc
Wattage	5W
Wiring	2000mm
Connector	Micro24

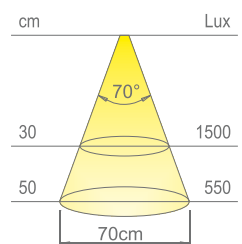


PHOTOMETRIC DATA

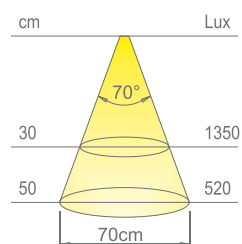
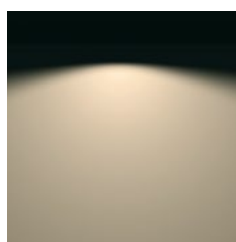
Colour appearance	natural white
Colour temperature	4000 Kelvin
Luminous flux	275 lm
Luminous efficiency	55 lm/W
CRI	Ra ≥80



Colour appearance	warm white
Colour temperature	3100 Kelvin
Luminous flux	275 lm
Luminous efficiency	55 lm/W
CRI	Ra ≥80



Colour appearance	super warm white
Colour temperature	2800 Kelvin
Luminous flux	265 lm
Luminous efficiency	53 lm/W
CRI	Ra ≥80



FINISHES



STEEL



ALUMINIUM

CONFIGURATION AND INSTALLATION

IR dimmable electronic switch

In the SDM configuration, K-PAD integrates an infrared proximity switch that turns on, off, and adjusts the brightness of the device.



Easy installation

K-PAD is installed on the surface and in contact with the wall with the aid of a special bracket (A). The device comes with a power cord that can be disconnected (B), which enables the easy installation of K-PAD after putting the wall unit in place. The 2000mm long cable, complete with Micro24 connector, can have a radial or axial output to the support surface.



Set configuration

K-PAD is available in two versions: slave (without switch) and SDM (with master infrared dimmer switch). The SDM version is wired with two cables (input and output) which combines with a device that switches a certain number of K-PAD (slave version) connected to it on and off, at the same time.



K-PAD slave

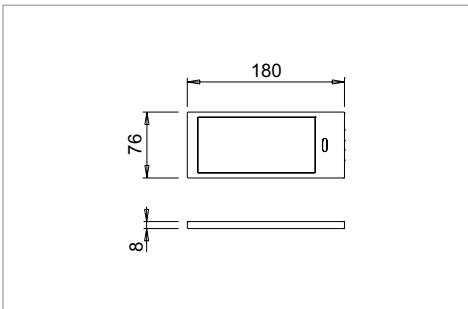


K-PAD SDM



Set K-PAD SDM 3X

DRAWINGS AND CODES



24Vdc

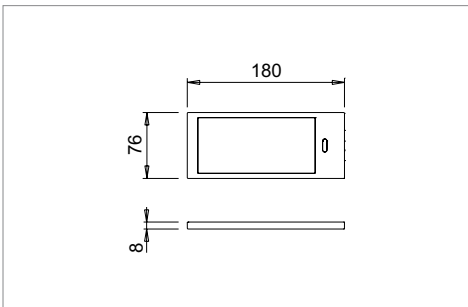
K-PAD SDM

with master IR dimmable switch



Code	Model	Watt @ Volt	Colour temperature	Finish
1258910N/2	SDM	5W @24Vdc	natural white	aluminium
1258910B/2	SDM	5W @24Vdc	warm white	aluminium
1258910B1/2	SDM	5W @24Vdc	super warm white	aluminium
1258919N/2	SDM	5W @24Vdc	natural white	steel
1258919B/2	SDM	5W @24Vdc	warm white	steel
1258919B1/2	SDM	5W @24Vdc	super warm white	steel

LED CONVERTER NOT INCLUDED. TO BE ORDERED SEPARATELY.



24Vdc

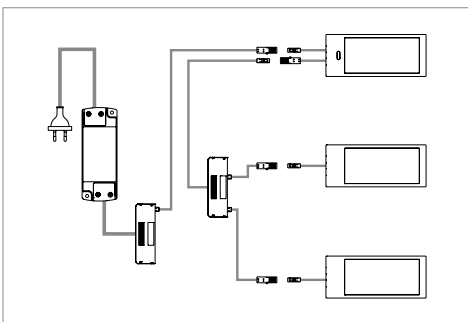
K-PAD slave

without switch



Code	Model	Watt @ Volt	Colour temperature	Finish
1258910N/1	slave	5W @24Vdc	natural white	aluminium
1258910B/1	slave	5W @24Vdc	warm white	aluminium
1258910B1/1	slave	5W @24Vdc	super warm white	aluminium
1258919N/1	slave	5W @24Vdc	natural white	steel
1258919B/1	slave	5W @24Vdc	warm white	steel
1258919B1/1	slave	5W @24Vdc	super warm white	steel

LED CONVERTER NOT INCLUDED. TO BE ORDERED SEPARATELY.



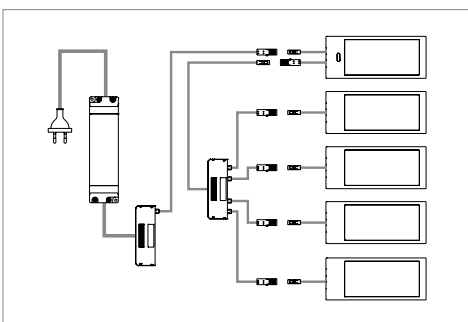
230V

SET K-PAD SDM 3X



Code	Model	Watt @ Volt	Colour temperature	Finish
2242210N/2	Set SDM 3X	3x5W @230Vac	natural white	aluminium
2242210B/2	Set SDM 3X	3x5W @230Vac	warm white	aluminium
2242210B1/2	Set SDM 3X	3x5W @230Vac	super warm white	aluminium
2242219N/2	Set SDM 3X	3x5W @230Vac	natural white	steel
2242219B/2	Set SDM 3X	3x5W @230Vac	warm white	steel
2242219B1/2	Set SDM 3X	3x5W @230Vac	super warm white	steel

LED CONVERTER INCLUDED.



230V

SET K-PAD SDM 5X



Code	Model	Watt @ Volt	Colour temperature	Finish
2242410N/2	Set SDM 5X	5x5W @230Vac	natural white	aluminium
2242410B/2	Set SDM 5X	5x5W @230Vac	warm white	aluminium
2242410B1/2	Set SDM 5X	5x5W @230Vac	super warm white	aluminium
2242419N/2	Set SDM 5X	5x5W @230Vac	natural white	steel
2242419B/2	Set SDM 5X	5x5W @230Vac	warm white	steel
2242419B1/2	Set SDM 5X	5x5W @230Vac	super warm white	steel

LED CONVERTER INCLUDED.



K-PAD IR

design
DOMUS Line

**Flat EDGE LED luminaire for application
inside cabinets and wardrobes**

Materials:

thermoplastic polymers

Finishes:

aluminium, steel

Light sources:

SMD EDGE LED

Connector:

Micro24

Wiring:

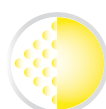
2000mm

Application type:

under cabinet, under shelf

Installation:

on surface



NO-DOT EFFECT LED TECHNOLOGY

SCAN FOR
MORE INFO



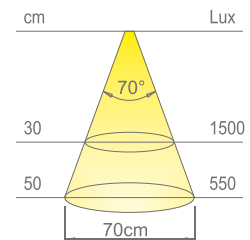
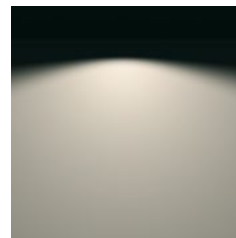
TECHNICAL DATA

Power supply	24Vdc
Wattage	5W
Wiring	2000mm
Connector	Micro24

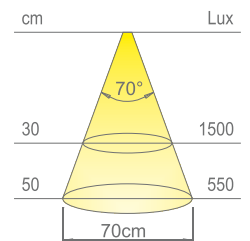
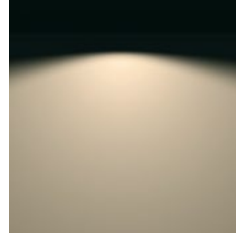


PHOTOMETRIC DATA

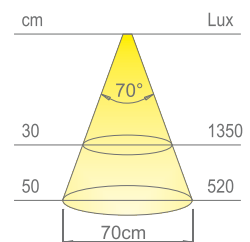
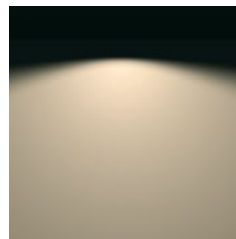
Colour appearance	natural white
Colour temperature	4000 Kelvin
Luminous flux	275 lm
Luminous efficiency	55 lm/W
CRI	Ra ≥80



Colour appearance	warm white
Colour temperature	3100 Kelvin
Luminous flux	275 lm
Luminous efficiency	55 lm/W
CRI	Ra ≥80



Colour appearance	super warm white
Colour temperature	2800 Kelvin
Luminous flux	265 lm
Luminous efficiency	53 lm/W
CRI	Ra ≥80



FINISHES



STEEL



ALUMINIUM

CONFIGURATION AND INSTALLATION

IR sensor

K-PAD IR integrates an infrared proximity sensor for application inside kitchen cabinets or wardrobes.

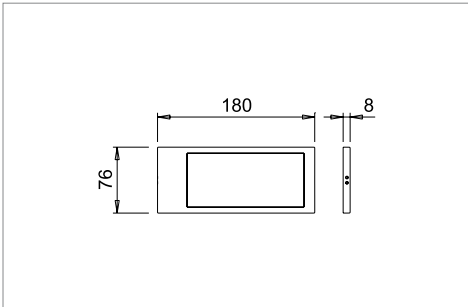


Easy installation

K-PAD IR is installed on the surface with the aid of a special bracket (A). The device comes with a 2000mm power cord (B) complete with Micro24 connector that can have a radial or axial output to the support surface.



DRAWINGS AND CODES



24Vdc

K-PAD IR



Code	Watt @ Volt	Colour temperature	Finish
1274810N	5W @ 24Vdc	natural white	aluminium
1274810B	5W @ 24Vdc	warm white	aluminium
1274810B1	5W @ 24Vdc	super warm white	aluminium
1274819N	5W @ 24Vdc	natural white	steel
1274819B	5W @ 24Vdc	warm white	steel
1274819B1	5W @ 24Vdc	super warm white	steel

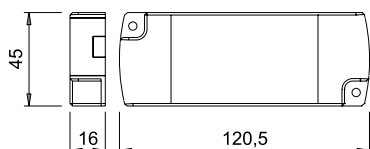
LED CONVERTER NOT INCLUDED. TO BE ORDERED SEPARATELY.



FLAT 15/24D

CE □ ⊕ SELV 🏠

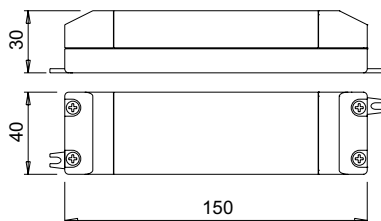
Code	0846701
Input	220 - 240Vac
Output	24Vdc
Power	15W
Input wiring	2000mm with europlug
Output wiring	500mm Micro24 distributor with 9 slot



ST30/24D

CE □ ⊕ SELV 🏠

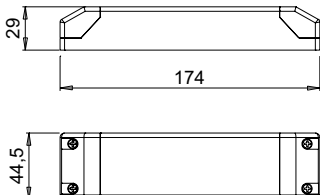
Code	0859101
Input	220 - 240Vac
Output	24Vdc
Power	30W
Input wiring	2000mm with europlug
Output wiring	500mm Micro24 distributor with 9 slot



SL60/24D

CE □ ⊕ SELV 🏠

Code	0858801
Input	220 - 240Vac
Output	24Vdc
Power	1-60W
Input wiring	2000mm with europlug
Output wiring	500mm Micro24 distributor with 9 slot



Appliance classification according to degree of electric shock protection



Class I luminaire

Luminaire in which protection against electric shock does not rely on basic insulation only, but which includes an additional safety precaution in such a way that means are provided for the connection of accessible conductive parts to the protective (earthing) conductor in the fixed wiring of the installation in such a way that accessible conductive parts cannot become live in the event of a failure of the basic insulation.



Class II luminaire

Luminaire in which protection against electric shock does not rely on basic insulation only, but in which additional safety precautions such as double insulation or reinforced insulation are provided, there being no provision for protective earthing or reliance upon installation conditions.



Class III luminaire

Luminaire in which protection against electric shock relies on supply at safety extra-low voltage (SELV) and in which voltages higher than those of SELV are not generated.

Appliance classification according to degree of protection against penetration by solids and liquids

IP44

Protection degree IP44

Protected against solid objects greater than 1mm. Protected against splashing water.

Other symbols



Independent lamp controlgear

Lamp controlgear consisting of one or more separate elements so designed that it can be mounted separately outside a luminaire, with protection according to the marking of the lamp controlgear and without any additional enclosure.

SELV

Safety Extra Low Voltage

ELV (voltage which does not exceed 50 V a.c. r.m.s. or 120 V ripple free d.c. between conductors, or between any conductor and earth voltage band I of IEC 60449) in a circuit which is insulated from the mains supply by an insulation not less than that between the primary and secondary circuits of a safety isolating transformer according to IEC 61558-2-6 or equivalent.



Indoor use

Equipment designed for indoor use only.

Norms and directives



CE

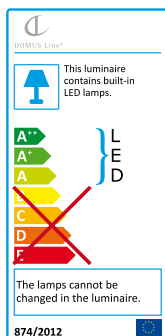
All the lighting appliances published in this catalog with the corresponding CE mark, have been designed and manufactured in compliance to the applicable European Directive (2014/30/EU, 2014/35/EU, 2011/65/EU). It guarantees the right of this product to be freely commercialized in all the states members of the European Union. DOMUS Line guarantee the compliance following the demand of the European-EN technical standard (and consequently international-IEC).



WEEE (Waste of electric and electronic equipment)

The product must be disposed of separately from household waste. The item should be handed for recycling centers according the local environmental rule for waste disposal. Appropriate separate collection of waste contributes to preventing negative effects on the environment and health and it encourages the reuse and/or recycling of materials. Illegal disposal entails the application of administrative sanctions provided by local law.

NOTE: All DOMUS Line luminaires are suitable for direct mounting on normally flammable surfaces such as that of the furniture.



Devices with non-replaceable LED module

Energy efficiency class: A++, A+, A

EU Directive 2009/125/EC and relative Regulation : No. 1194/2012/UE, No. 1428/2015/UE.

Warranty

Each unit is fully guaranteed for a period of 24 months from the date of delivery. From the warranty are excluded all defects caused by force majeure (lightning, fire, etc..), as well as any damage caused by improper use of equipment. The products must be installed and/or used in accordance with the specifications and instructions given by DOMUS Line Srl. They must also be installed and/or used in compliance with the provisions governing the installation and/or use of electric material force in the country where the products are installed and/or used. To this end, the buyer expressly releases DOMUS Line Srl from any responsibility for improper use, failure to comply with safety standards, technical specifications and instructions for use. The products which do not meet the standards and/or specifications in force in the European Union, will only be provided to the buyer that in the order specifies that the destination country does not belong to the European Union and indicating to have exhausted all the controls on compatibility of safety standards in force in the country outside the EU for which they are intended. In the absence of other arrangements for testing of the equipment, the standards established by the CEI (Italian Electrotechnical Committee) are valid. The warranty is void without fail in the event of tampering with the equipment by persons or technicians not specifically authorized by DOMUS Line Srl. The warranty does not cover normal wear and tear or the consequences of improper installation, nor the failure and/or breaks caused by inexperience and/or neglect.

scan for general conditions of sale ►



Copyright

© 2017 DOMUS Line®

The brand and name DOMUS Line are registered trademarks. DOMUS Line owns brand names and known and widely used logos. The brand names and logos published in this catalogue are registered or in any case subject to the laws on unregistered brand names. All reproduction or distribution by any means: photocopies, internet, microfilm or other means, total or partial, of this catalogue is forbidden without the written permission of DOMUS Line.

Patents

The patented models, registered and published in this catalogue, are protected and counterfeiting will be prosecuted in accordance with the law.

Disclaimer

This document is distributed as “uncontrolled” and DOMUS Line reserves the right to change the characteristics of the products to meet any technical or commercial needs, without prior notice. DOMUS Line verified the data published in this document with the utmost attention. However, because of the variables that exist between the development process and the publication of the catalogue, DOMUS Line assumes no responsibility for errors, gaps in data, inaccuracies, and so on.



DOMUS Line®

DOMUS Line srl

Via Maestri del Lavoro, 1 I-33080 Porcia (PN) Italy

P. +39 0434 595911 F. +39 0434 923345

info@domusline.com

www.domusline.com