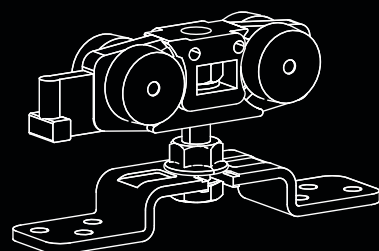




Classic

Slides with standard bracket
Scorrevoli con staffa normale



Classic

Standard bracket system

Scorrevoli con staffa tradizionale

EN

STANDARD BRACKET sliding system for wooden doors, available with traditional, oil damper and air damper stoppers.

IT

Sistema di scorrimento per porte in legno con STAFFA TRADIZIONALE, disponibili con fermi tradizionali, fermi ammortizzati ad aria e fermi idraulici.

FR

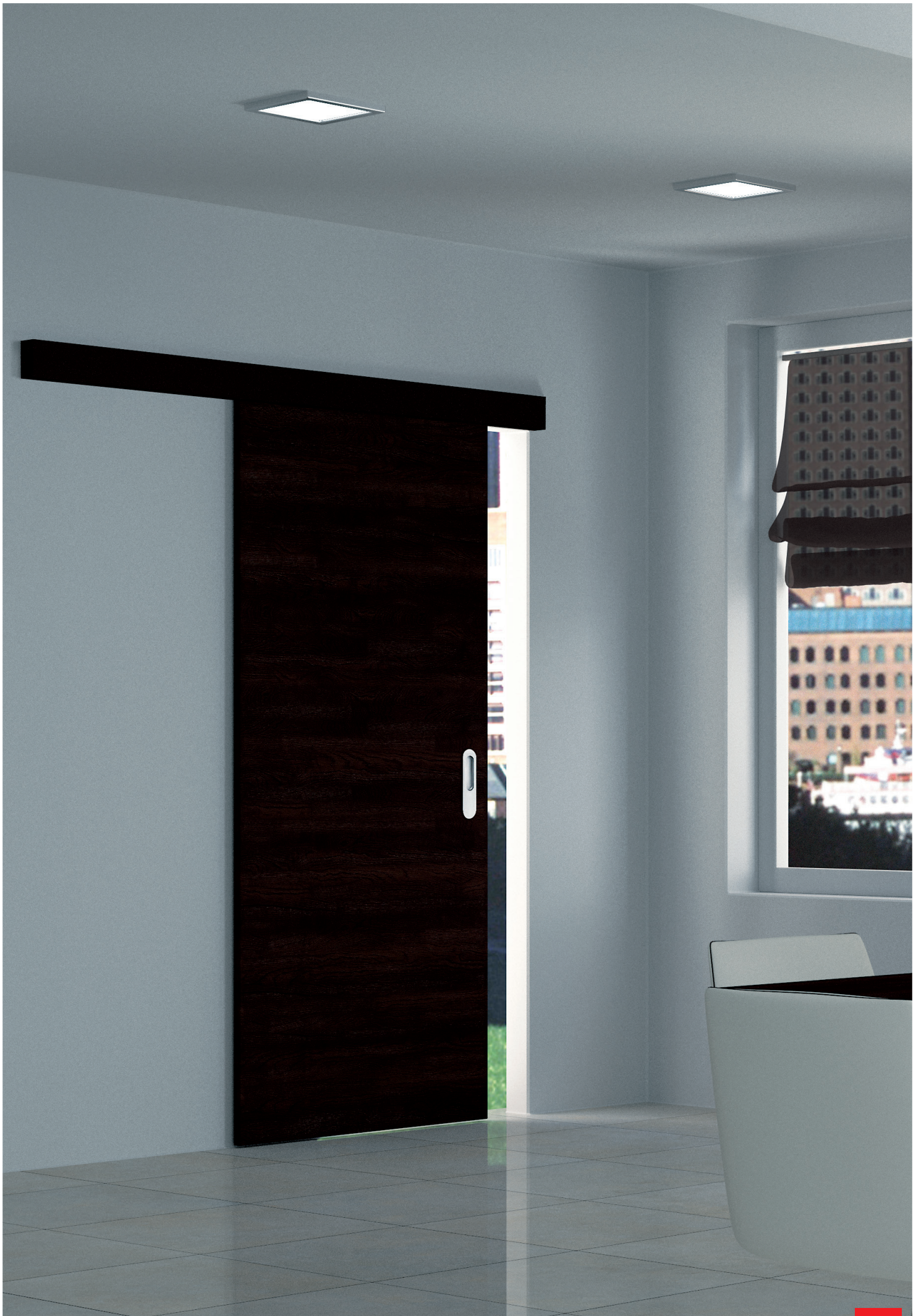
Coulisses avec ETRIER NORMAL avec fermeture standard, avec fermeture amortie.

DE

Schlitten mit NORMALEM BÜGEL und Standard-Schließvorrichtung, und gedämpfter Schließvorrichtung.

ES

Elementos de deslizamiento con ESTRIBO NORMAL con cerrojo amortiguado, con cerrojo estándar.



Classic Index



**FERMI STANDARD
CLASSIC STOPPERS**



**FERMO AD ARIA+FERMO STANDARD
SOFT AIR CLOSING+CLASSIC
STOPPER**



30 Kg



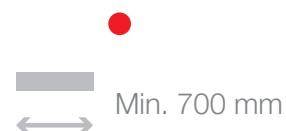
PAG. 105



40 Kg



PAG. 106-107



PAG. 108



60 Kg



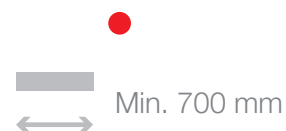
PAG. 114-115



80 Kg



PAG. 117-118



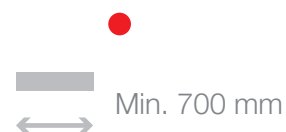
PAG. 119



120 Kg



PAG. 125



PAG. 126



160 Kg



PAG. 130

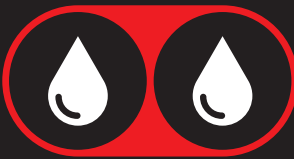














240 Kg



PAG. 131

Classic Indice

 <p>FERMI IDRAULICI HYDRAULIC CLOSING</p>	 <p>FERMO AD ARIA+FERMO IDRAULICO SOFT AIR CLOSING+HYDRAULIC CLOSING</p>	 <p>FERMI AD ARIA SOFT AIR CLOSING</p>
<p>●</p>  <p>Min. 700 mm</p> <p>PAG. 109</p>	<p>●</p>  <p>Min. 700 mm</p> <p>PAG. 110</p>	<p>●</p>  <p>Min. 732 mm</p> <p>PAG. 111÷113</p>
<p>●</p>  <p>Min. 700 mm</p> <p>PAG. 116</p>		
<p>●</p>  <p>Min. 700 mm</p> <p>PAG. 120</p>	<p>●</p>  <p>Min. 700 mm</p> <p>PAG. 121</p>	<p>●</p>  <p>Min. 732 mm</p> <p>PAG.122÷124</p>
<p>●</p>  <p>Min. 700 mm</p> <p>PAG. 127</p>	<p>●</p>  <p>Min. 700 mm</p> <p>PAG. 128</p>	<p>●</p>  <p>Min. 1094 mm</p> <p>PAG. 129</p>

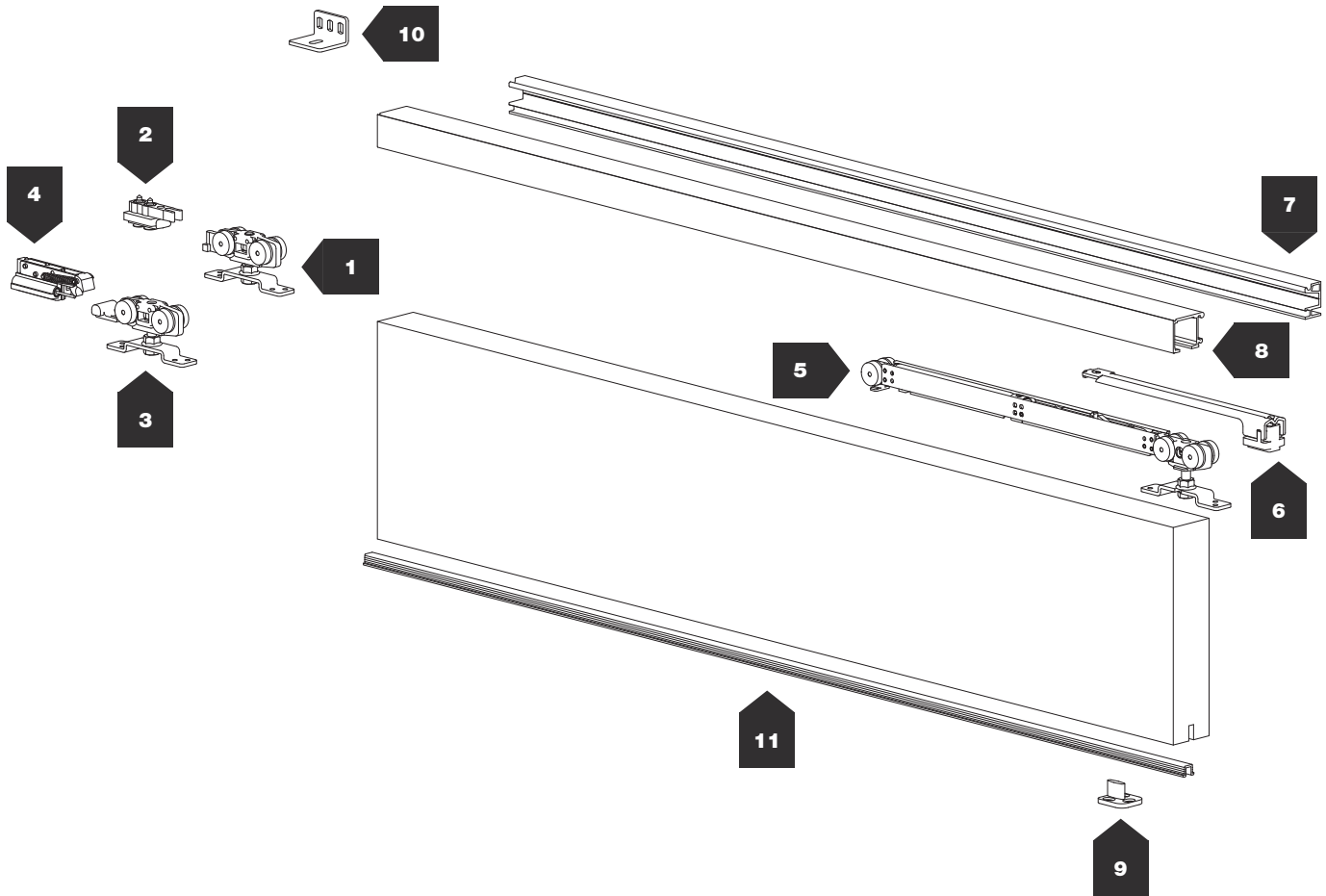


**ECONOMIC
ECONOMICA**

**EASY MOUNTING
FACILE MONTAGGIO**

**FLOOR DISTANCE: 6 mm
LUCE INFERIORE SOLO 6 mm**

**SOFT CLOSING
FERMI AMMORTIZZATI**

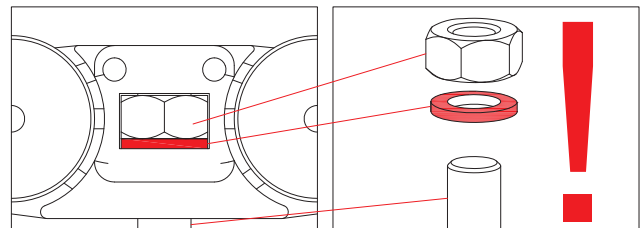


NOISE REDUCTION SYSTEM

The Classic system (kg. 40-60-80-120) is equipped with a damping system in rubber which reduces significantly the noise level

SISTEMA RIDUZIONE RUMORE

Il sistema Classic (kg. 40-60-80-120) è dotato di un sistema di ammortizzamento in gomma che riduce sensibilmente la rumorosità



700 mm ÷ 1600 mm



30 kg ÷ 240 kg










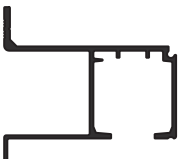




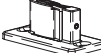






















6 mm

Slides with standard bracket / Scorrevoli con staffa normale
 Coulisses avec etrier normal / Schlitten mit normalem bügel
 Elementos de deslizamiento con estribo normal

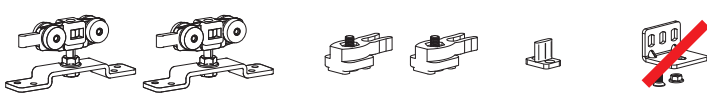
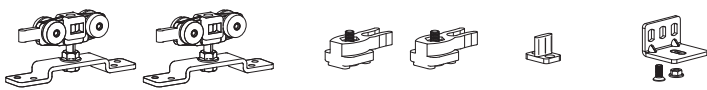
Classic





N°	Barcode		KG		N°	Barcode		KG		
1	1033/T		30		4	1627/09		40		
	41/T		40			1627/10		60/80		
	41/S		40			1627/11		120		
	60/T		60		5	1676/443/35G		40		
	60/S		60			1673/707/35G		40		
	81/T		80			1672/825/35G		40		
	81/T/ES		40÷120			1676/443/80Y		80		
	81/S		80			1673/707/80Y		80		
	100/T		120			1672/825/80Y		80		
	1161/T		160			1677/530/120M		120		
	203/T		240			6	1674		40/80 120	
	2	1031		30			7	1710		40÷120
46			40/60		1720				40÷120	
84			80/120		8		1030		30	
1163			160÷240			1130		30		
3	1622/T		40							
	1624/T		60							
	1626/T		80							
	1626/T/ES		40÷120							
	1628/T		120							




N°	Barcode		KG		N°	Barcode		KG		
8	1280		40÷120		9	1032		30		
	1080		40÷120			45		40÷80		
	1359		40÷120			93		120		
	1559		40÷120			124		160/240		
	1700		40÷120			90		30÷120		
	80		40/80			10	126		30	
	1180		40/80				127/P/V		40÷80	ONLY ART.80
	1160		160				127/D/V		40÷120	
	160		160				128/DV		160	
	1660		160		128/PV/8			160	ONLY ART.160	
	760/N		160/240		128/PV/10			240		
	201		240							









Slides with standard bracket / Scorrevoli con staffa normale
 Coulisses avec etrier normal / Schlitten mit normalem bügel
 Elementos de deslizamiento con estribo normal

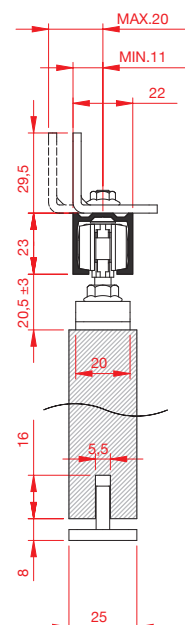
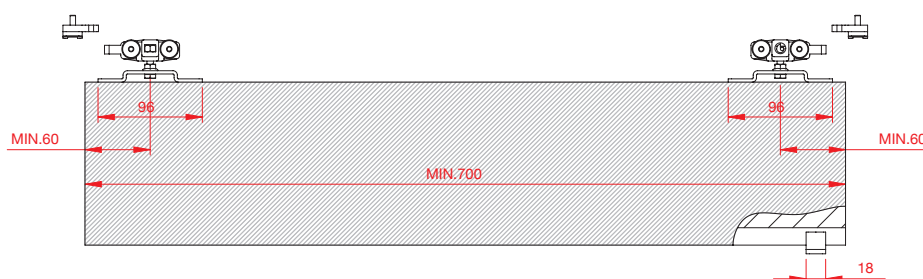
Classic


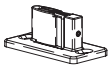

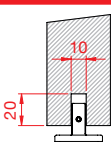
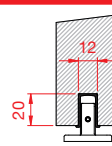

CODE	KIT IN BOX
30/T/G/NOR/SEN	
30/T/G/NOR/CON	

 30	30 Kg
	N.2 Classic stopper N.2 Fermi standard
	Door width - Min. 700 mm Larghezza porta - Min. 700 mm
	Turned wheels Ruote tornite

ALUMINIUM TRACKS / BINARI IN ALLUMINIO		From pag.86 Da pag.86 
	STANDARD	
ART. 1030		ART. 1130

KIT IN BLISTER							
CODE (with brackets) - CODICE (con squadrette)				CODE (without brackets) - CODICE (senza squadrette)			
							
30/T/P/NR150CON	N° 4	700-850 mm	1500 mm	30/T/P/NR150SEN	-	700-850 mm	1500 mm
30/T/P/NR165CON	N° 5	860-950 mm	1650 mm	30/T/P/NR165SEN	-	860-950 mm	1650 mm
30/T/P/NR200CON	N° 5	960-1100 mm	2000 mm	30/T/P/NR200SEN	-	960-1100 mm	2000 mm
30/T/P/NR250CON	N° 6	1110-1350 mm	2500 mm	30/T/P/NR250SEN	-	1110-1350 mm	2500 mm
30/T/P/NR300CON	N° 7	1360-1600 mm	3000 mm	30/T/P/NR300SEN	-	1360-1600 mm	3000 mm



ADJUSTABLE LOWER TRACK / GUIDA INFERIORE REGOLABILE					
					
ART. 121	ART. 90	ART. 409	OPTIONAL		

Classic

Slides with standard bracket / Scorrevoli con staffa normale
 Coulisses avec etrier normal / Schlitten mit normalem bügel
 Elementos de deslizamiento con estribo normal



40 Kg



N.2 Classic stopper
 N.2 Fermi standard



Door width - Min. 700 mm
 Larghezza porta - Min. 700 mm



Turned weels
 Ruote tornite

CODE	KIT IN BOX					
40/T/G/NOR/SEN						
40/T/G/NOR/CON						

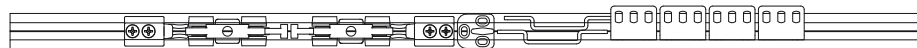
ALUMINIUM TRACKS / BINARI IN ALLUMINIO

From pag.86
 Da pag.86



STANDARD		OPTIONAL					
ART. 1280	ART. 1080	ART. 1359	ART. 1559	ART. 1700 - 1720	ART. 1700 - 1710	ART. 80	ART. 1180

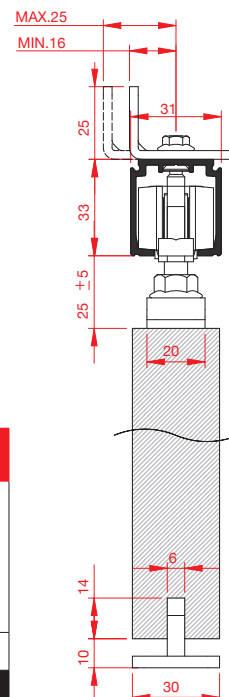
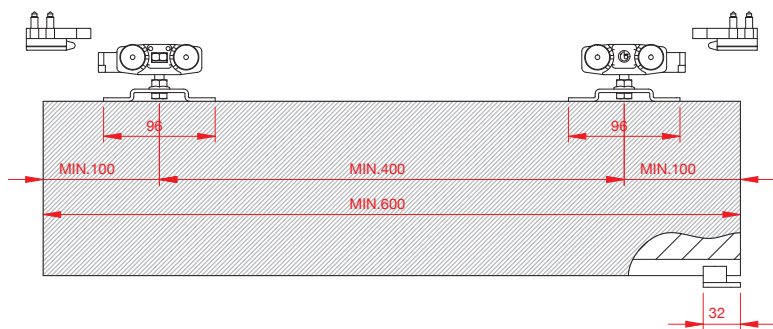
KIT IN BLISTER



CODE (with brackets) - CODICE (con squadrette)

CODE (without brackets) - CODICE (senza squadrette)

Barcode	Icon	MIN-MAX	TRACK-BINARIO	Barcode	Icon	MIN-MAX	TRACK-BINARIO
		700-850 mm	1500 mm			700-850 mm	1500 mm
40/T/P/NR150CON	N° 4	700-850 mm	1500 mm	40/T/P/NR150SEN	-	700-850 mm	1500 mm
40/T/P/NR165CON	N° 5	860-950 mm	1650 mm	40/T/P/NR165SEN	-	860-950 mm	1650 mm
40/T/P/NR200CON	N° 5	960-1100 mm	2000 mm	40/T/P/NR200SEN	-	960-1100 mm	2000 mm
40/T/P/NR250CON	N° 6	1110-1350 mm	2500 mm	40/T/P/NR250SEN	-	1110-1350 mm	2500 mm
40/T/P/NR300CON	N° 7	1360-1600 mm	3000 mm	40/T/P/NR300SEN	-	1360-1600 mm	3000 mm



ADJUSTABLE LOWER TRACK / GUIDA INFERIORE REGOLABILE

OPTIONAL					
ART. 121	ART. 90	ART. 409			

Slides with standard bracket / Scorrevoli con staffa normale
 Coulisses avec etrier normal / Schlitten mit normalem bügel
 Elementos de deslizamiento con estribo normal

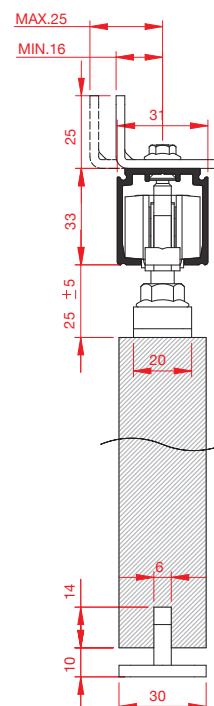
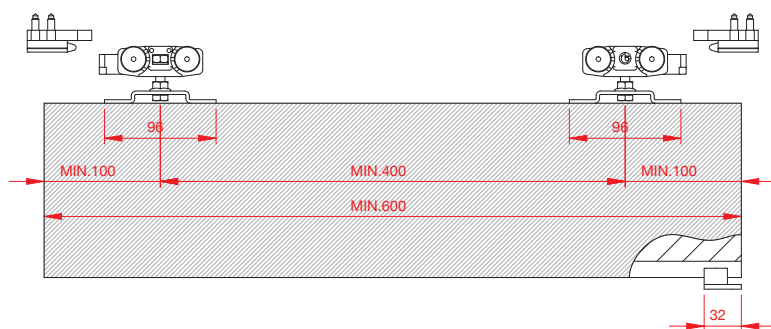
Classic

CODE	KIT IN BOX
40/S/G/NOR/SEN	
40/S/G/NOR/CON	

- 40 Kg
- N.2 Classic stopper
N.2 Fermi standard
- Door width - Min. 700 mm
Larghezza porta - Min. 700 mm
- Moulded weels
Ruote stampate

ALUMINIUM TRACKS / BINARI IN ALLUMINIO								From pag.86 Da pag.86
STANDARD	OPTIONAL							
ART. 1280	ART. 1080	ART. 1359	ART. 1559	ART. 1700 - 1720	ART. 1700 - 1710	ART. 80	ART. 1180	

KIT IN BLISTER							
CODE (with brackets) - CODICE (con squadrette)				CODE (without brackets) - CODICE (senza squadrette)			
			TRACK-BINARIO				TRACK-BINARIO
40/S/P/NR150CON	N° 4	700-850 mm	1500 mm	40/S/P/NR150SEN	-	700-850 mm	1500 mm
40/S/P/NR165CON	N° 5	860-950 mm	1650 mm	40/S/P/NR165SEN	-	860-950 mm	1650 mm
40/S/P/NR200CON	N° 5	960-1100 mm	2000 mm	40/S/P/NR200SEN	-	960-1100 mm	2000 mm
40/S/P/NR250CON	N° 6	1110-1350 mm	2500 mm	40/S/P/NR250SEN	-	1110-1350 mm	2500 mm
40/S/P/NR300CON	N° 7	1360-1600 mm	3000 mm	40/S/P/NR300SEN	-	1360-1600 mm	3000 mm



ADJUSTABLE LOWER TRACK / GUIDA INFERIORE REGOLABILE					
ART. 121	ART. 90	ART. 409	OPTIONAL		

Classic

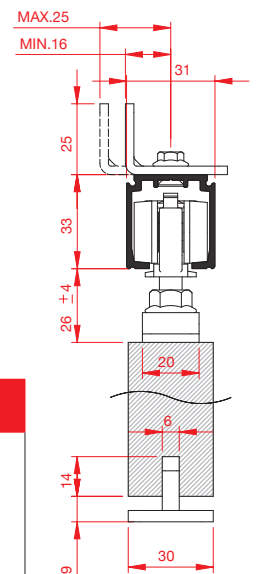
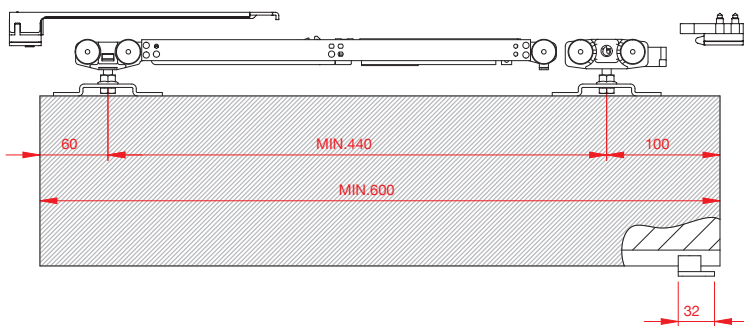
Slides with standard bracket / Scorrevoli con staffa normale
 Coulisses avec etrier normal / Schlitten mit normalem bügel
 Elementos de deslizamiento con estribo normal

	40 Kg
	N.1 Soft air closing N.1 Fermo ammortizzato
	N.1 Classic stopper N.1 Fermo standard
	Door width - Min. 700 mm Larghezza porta - Min. 700 mm
	Turned wheels Ruote tornite

CODE	KIT IN BOX
1676G/81/T/G/S	
1676G/81/T/G/C	

ALUMINIUM TRACKS / BINARI IN ALLUMINIO						From pag.86 Da pag.86
STANDARD		OPTIONAL				
ART. 1280	ART. 1080	ART. 1359	ART. 1559	ART. 1700 - 1720	ART. 1700 - 1710	

KIT IN BLISTER							
CODE (with brackets) - CODICE (con squadrette)				CODE (without brackets) - CODICE (senza squadrette)			
		MIN-MAX	TRACK-BINARIO			MIN-MAX	TRACK-BINARIO
1676G81T/150/C	N° 4	700-850 mm	1500 mm	1676G81T/150/S	-	700-850 mm	1500 mm
1676G81T/165/C	N° 5	860-950 mm	1650 mm	1676G81T/165/S	-	860-950 mm	1650 mm
1676G81T/200/C	N° 5	960-1100 mm	2000 mm	1676G81T/200/S	-	960-1100 mm	2000 mm
1676G81T/250/C	N° 6	1110-1350 mm	2500 mm	1676G81T/250/S	-	1110-1350 mm	2500 mm
1676G81T/300/C	N° 7	1360-1600 mm	3000 mm	1676G81T/300/S	-	1360-1600 mm	3000 mm



ADJUSTABLE LOWER TRACK / GUIDA INFERIORE REGOLABILE					
			OPTIONAL		
ART. 121	ART. 90	ART. 409			

Slides with standard bracket / Scorrevoli con staffa normale
 Coulisses avec etrier normal / Schlitten mit normalem bügel
 Elementos de deslizamiento con estribo normal

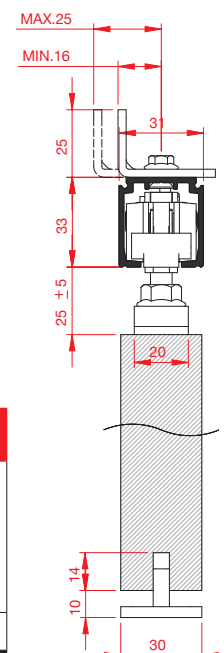
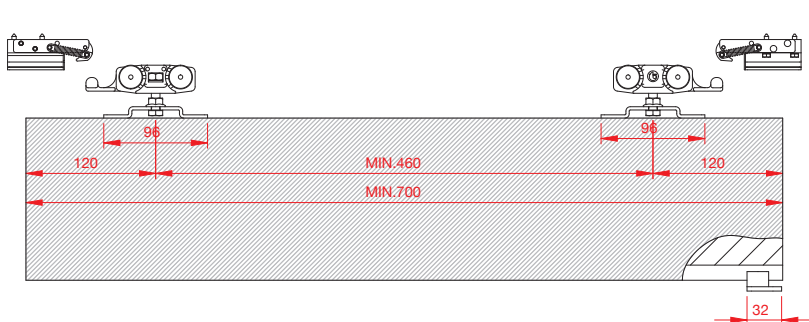
Classic

CODE	KIT IN BOX
40/TG/NR/S/FAN	
40/TG/NR/C/FAN	

	40 Kg
	N.2 Hydraulic closing N.2 Fermi idraulici
	Door width - Min. 700 mm Larghezza porta - Min. 700 mm
	Turned wheels Ruote tornite

ALUMINIUM TRACKS / BINARI IN ALLUMINIO						From pag.86 Da pag.86
STANDARD	OPTIONAL					
ART. 1280	ART. 1080	ART. 1359	ART. 1559	ART. 1700 - 1720	ART. 1700 - 1710	

KIT IN BLISTER							
CODE (with brackets) - CODICE (con squadrette)				CODE (without brackets) - CODICE (senza squadrette)			
		MIN-MAX	TRACK-BINARIO			MIN-MAX	TRACK-BINARIO
40T/PNR150CFAN	N° 4	700-850 mm	1500 mm	40T/PNR150SFAN	-	700-850 mm	1500 mm
40T/PNR165CFAN	N° 5	860-950 mm	1650 mm	40T/PNR165SFAN	-	860-950 mm	1650 mm
40T/PNR200CFAN	N° 5	960-1100 mm	2000 mm	40T/PNR200SFAN	-	960-1100 mm	2000 mm
40T/PNR250CFAN	N° 6	1110-1350 mm	2500 mm	40T/PNR250SFAN	-	1110-1350 mm	2500 mm
40T/PNR300CFAN	N° 7	1360-1600 mm	3000 mm	40T/PNR300SFAN	-	1360-1600 mm	3000 mm



ADJUSTABLE LOWER TRACK / GUIDA INFERIORE REGOLABILE					
ART. 121	ART. 90	ART. 409	OPTIONAL		

Classic

Slides with standard bracket / Scorrevoli con staffa normale
 Coulisses avec etrier normal / Schlitten mit normalem bügel
 Elementos de deslizamiento con estribo normal



40 Kg



N.1 Soft air closing
 N.1 Fermo ammortizzato



N.1 Hydraulic closing
 N.1 Fermo idraulico



Door width - Min. 700 mm
 Larghezza porta - Min. 700 mm



Turned wheels
 Ruote tornite

CODE	KIT IN BOX
1676G/1626/G/S	
1676G/1626/G/C	

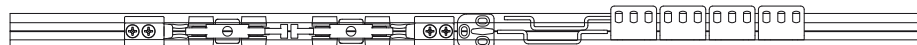
ALUMINIUM TRACKS / BINARI IN ALLUMINIO

From pag.86
 Da pag.86



STANDARD	OPTIONAL				
ART. 1280	ART. 1080	ART. 1359	ART. 1559	ART. 1700 - 1720	ART. 1700 - 1710

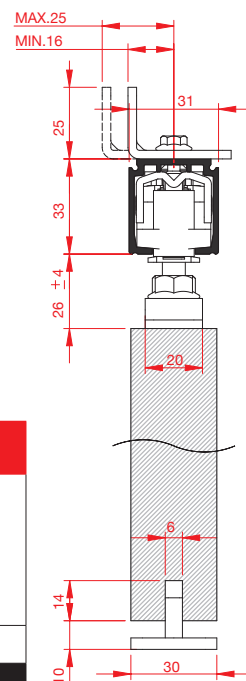
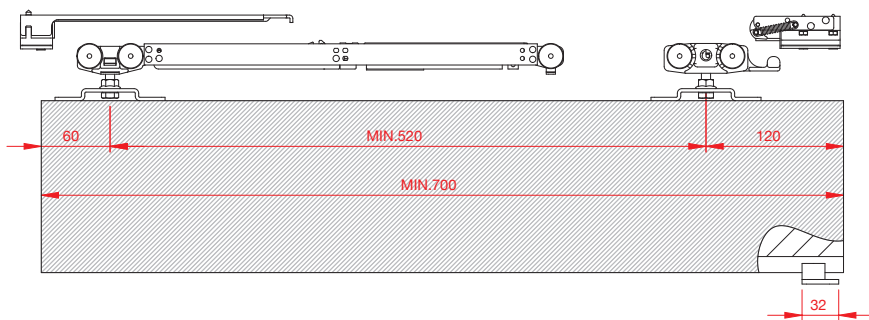
KIT IN BLISTER



CODE (with brackets) - CODICE (con squadrette)

CODE (without brackets) - CODICE (senza squadrette)

Barcode	Icon	MIN-MAX	TRACK-BINARIO	Barcode	Icon	MIN-MAX	TRACK-BINARIO
1676G1626T/150C	N° 4	700-850 mm	1500 mm	1676G1626T/150S	-	700-850 mm	1500 mm
1676G1626T/165C	N° 5	860-950 mm	1650 mm	1676G1626T/165S	-	860-950 mm	1650 mm
1676G1626T/200C	N° 5	960-1100 mm	2000 mm	1676G1626T/200S	-	960-1100 mm	2000 mm
1676G1626T/250C	N° 6	1110-1350 mm	2500 mm	1676G1626T/250S	-	1110-1350 mm	2500 mm
1676G1626T/300C	N° 7	1360-1600 mm	3000 mm	1676G1626T/300S	-	1360-1600 mm	3000 mm



ADJUSTABLE LOWER TRACK / GUIDA INFERIORE REGOLABILE

ART. 121	ART. 90	ART. 409	OPTIONAL	
ART. 121	ART. 90	ART. 409	OPTIONAL	

Slides with standard bracket / Scorrevoli con staffa normale
 Coulisses avec etrier normal / Schlitten mit normalem bügel
 Elementos de deslizamiento con estribo normal

Classic

CODE	KIT IN BOX
1673G/G/S	
1673G/G/C	



40 Kg



N.2 Soft air closing
 N.2 Fermi ammortizzati



Door width - 732 ÷ 1100 mm
 Larghezza porta - 732 ÷ 1100 mm



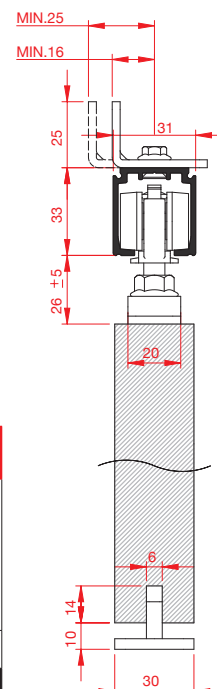
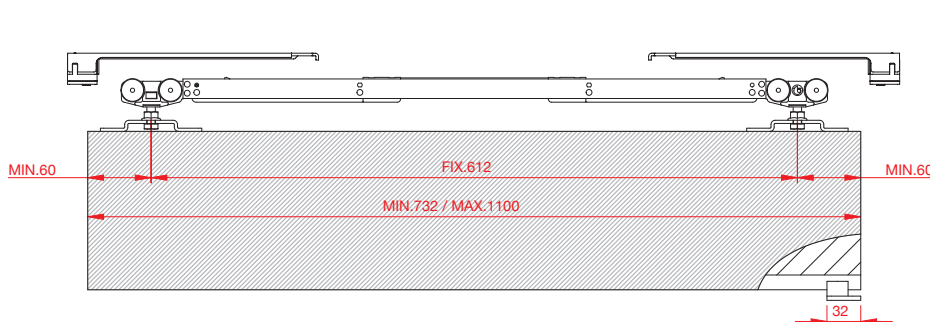
Turned wheels
 Ruote tornite

ALUMINIUM TRACKS / BINARI IN ALLUMINIO						From pag.86 Da pag.86
STANDARD	OPTIONAL					
ART. 1280	ART. 1080	ART. 1359	ART. 1559	ART. 1700 - 1720	ART. 1700 - 1710	

KIT IN BLISTER







CODE (with brackets) - CODICE (con squadrette)				CODE (without brackets) - CODICE (senza squadrette)			
			TRACK-BINARIO				TRACK-BINARIO
1673G/150/CON	N° 4	732-850mm	1500 mm	1673G/150/SEN	-	732-850mm	1500 mm
1673G/165/CON	N° 5	860-950 mm	1650 mm	1673G/165/SEN	-	860-950 mm	1650 mm
1673G/200/CON	N° 5	960-1100 mm	2000 mm	1673G/200/SEN	-	960-1100 mm	2000 mm

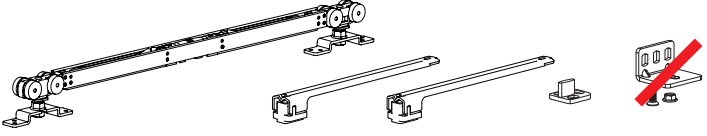
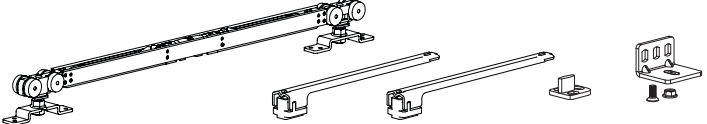




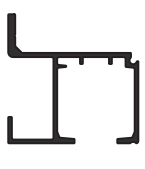
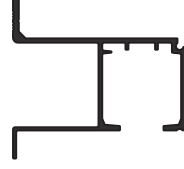

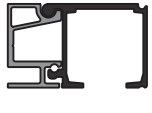
ADJUSTABLE LOWER TRACK / GUIDA INFERIORE REGOLABILE					
ART. 121	ART. 90	ART. 409	OPTIONAL		









Classic

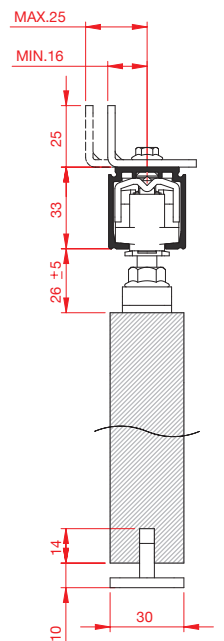
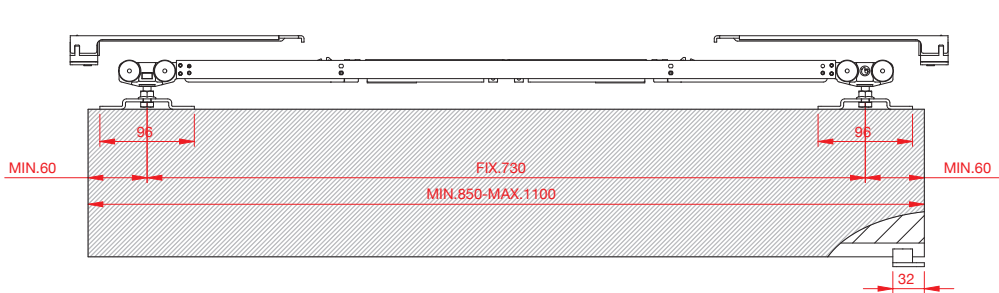
Slides with standard bracket / Scorrevoli con staffa normale
 Coulisses avec etrier normal / Schlitten mit normalem bügel
 Elementos de deslizamiento con estribo normal


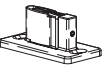

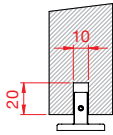
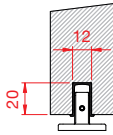

-  40 Kg
-  N.2 Soft air closing
N.2 Fermi ammortizzati
-  Door width - 850 ÷ 1100 mm
Larghezza porta - 850 ÷ 1100 mm
-  Turned weels
Ruote tornite

CODE	KIT IN BOX
1672G/G/S	
1672G/G/C	

ALUMINIUM TRACKS / BINARI IN ALLUMINIO						From pag.86 Da pag.86
						
STANDARD		OPTIONAL				
ART. 1280	ART. 1080	ART. 1359	ART. 1559	ART. 1700 - 1720	ART. 1700 - 1710	

KIT IN BLISTER							
CODE (with brackets) - CODICE (con squadrette)				CODE (without brackets) - CODICE (senza squadrette)			
							
1672G/165/CON	N° 5	850 - 950mm	1650 mm	1672G/165/SEN	-	850 - 950mm	1650 mm
1672G/200/CON	N° 5	960 - 1100mm	2000 mm	1672G/200/SEN	-	960 - 1100mm	2000 mm



ADJUSTABLE LOWER TRACK / GUIDA INFERIORE REGOLABILE					
					
			OPTIONAL		
ART. 121	ART. 90	ART. 409			

Slides with standard bracket / Scorrevoli con staffa normale
 Coulisses avec etrier normal / Schlitten mit normalem bügel
 Elementos de deslizamiento con estribo normal

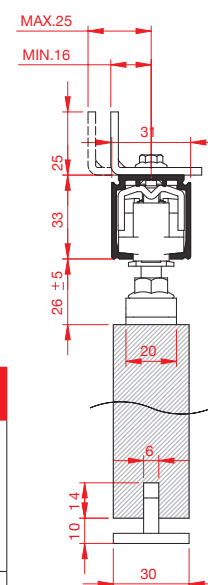
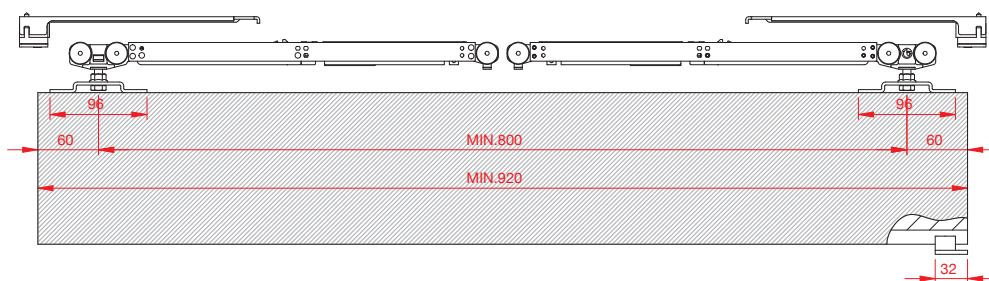
Classic

CODE	KIT IN BOX
1676G1676G/G/S	
1676G1676G/G/C	

	40 Kg
	N.2 Soft air closing N.2 Fermi ammortizzati
	Door width - Min.920 mm Larghezza porta - Min. 920 mm
	Turned wheels Ruote tornite

ALUMINIUM TRACKS / BINARI IN ALLUMINIO						From pag.86 Da pag.86
STANDARD	OPTIONAL					
ART. 1280	ART. 1080	ART. 1359	ART. 1559	ART. 1700 - 1720	ART. 1700 - 1710	

KIT IN BLISTER							
CODE (with brackets) - CODICE (con squadrette)				CODE (without brackets) - CODICE (senza squadrette)			
			TRACK-BINARIO				TRACK-BINARIO
1676G1676G/200C	N° 5	920-1100mm	2000mm	1676G1676G/200S	-	920-1100mm	2000mm
1676G1676G/250C	N° 6	1100-1350 mm	2500 mm	1676G1676G/250S	-	1100-1350 mm	2500 mm
1676G1676G/300C	N° 7	1360-1600 mm	3000 mm	1676G1676G/300S	-	1360-1600 mm	3000 mm



ADJUSTABLE LOWER TRACK / GUIDA INFERIORE REGOLABILE					
ART. 121	ART. 90	ART. 409	OPTIONAL		

Classic

Slides with standard bracket / Scorrevoli con staffa normale
 Coulisses avec etrier normal / Schlitten mit normalem bügel
 Elementos de deslizamiento con estribo normal



60 Kg



N.2 Classic stopper
 N.2 Fermi standard



Door width - Min. 700 mm
 Larghezza porta - Min. 700 mm



Turned weels
 Ruote tornite

CODE	KIT IN BOX					
60/T/G/NOR/SEN						
60/T/G/NOR/CON						

ALUMINIUM TRACKS / BINARI IN ALLUMINIO

From pag.86
 Da pag.86



STANDARD		OPTIONAL			
ART. 1280	ART. 1080	ART. 1359	ART. 1559	ART. 1700 - 1720	ART. 1700 - 1710

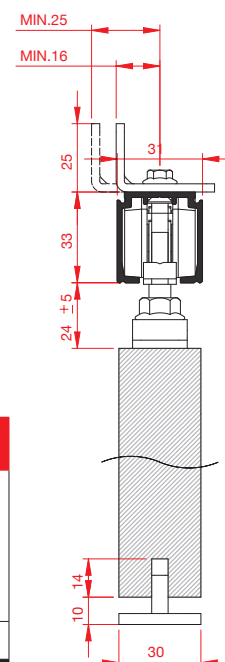
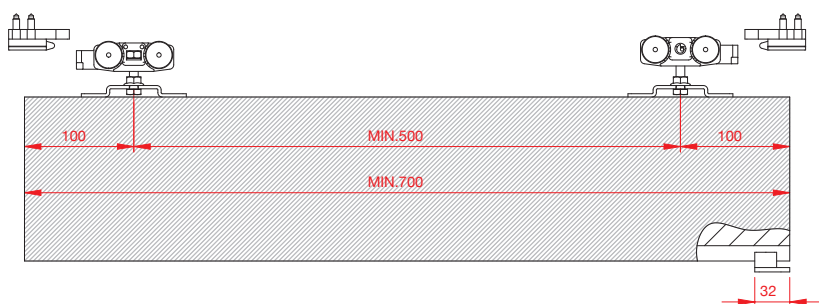
KIT IN BLISTER



CODE (with brackets) - CODICE (con squadrette)

CODE (without brackets) - CODICE (senza squadrette)

Barcode	Track-Binario	MIN-MAX	TRACK-BINARIO	Barcode	Track-Binario	MIN-MAX	TRACK-BINARIO
		700-850 mm	1500 mm			700-850 mm	1500 mm
60/T/P/NR150CON	N° 4			40/T/P/NR150SEN	-		
60/T/P/NR165CON	N° 5	860-950 mm	1650 mm	40/T/P/NR165SEN	-	860-950 mm	1650 mm
60/T/P/NR200CON	N° 5	960-1100 mm	2000 mm	40/T/P/NR200SEN	-	960-1100 mm	2000 mm
60/T/P/NR250CON	N° 6	1110-1350 mm	2500 mm	40/T/P/NR250SEN	-	1110-1350 mm	2500 mm
60/T/P/NR300CON	N° 7	1360-1600 mm	3000 mm	40/T/P/NR300SEN	-	1360-1600 mm	3000 mm

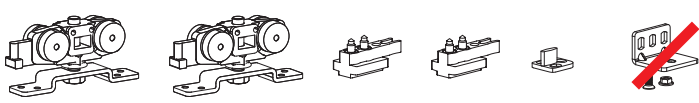
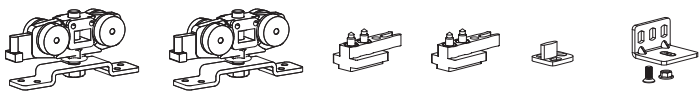


ADJUSTABLE LOWER TRACK / GUIDA INFERIORE REGOLABILE

OPTIONAL					
ART. 121	ART. 90	ART. 409			

Slides with standard bracket / Scorrevoli con staffa normale
 Coulisses avec etrier normal / Schlitten mit normalem bügel
 Elementos de deslizamiento con estribo normal

Classic

CODE	KIT IN BOX
60/S/G/NOR/SEN	
60/S/G/NOR/CON	



60 Kg





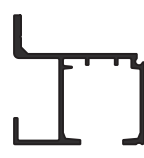
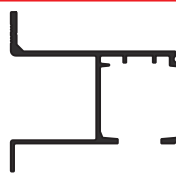
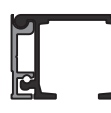

N.2 Classic stopper
 N.2 Fermi standard











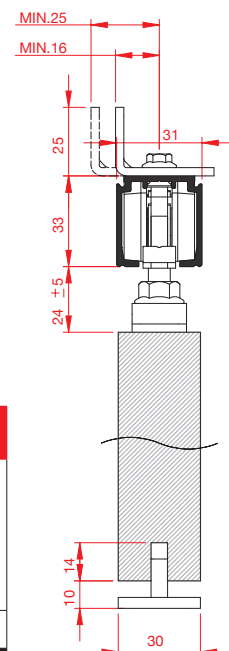
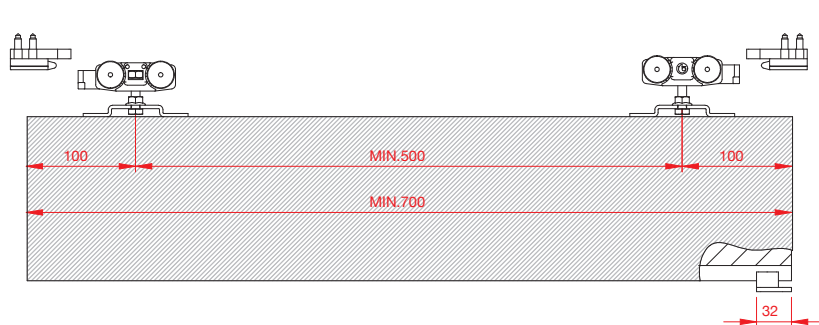
Door width - Min. 700 mm
 Larghezza porta - Min. 700 mm


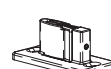

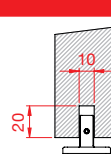
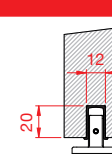



Moulded wheels
 Ruote stampate

ALUMINIUM TRACKS / BINARI IN ALLUMINIO						From pag.86 Da pag.86
						
STANDARD	OPTIONAL					
ART. 1280	ART. 1080	ART. 1359	ART. 1559	ART. 1700 - 1720	ART. 1700 - 1710	

KIT IN BLISTER							
CODE (with brackets) - CODICE (con squadrette)				CODE (without brackets) - CODICE (senza squadrette)			
			TRACK-BINARIO 				TRACK-BINARIO 
60/S/P/NR150CON	N° 4	700-850 mm	1500 mm	60/S/P/NR150SEN	-	700-850 mm	1500 mm
60/S/P/NR165CON	N° 5	860-950 mm	1650 mm	60/S/P/NR165SEN	-	860-950 mm	1650 mm
60/S/P/NR200CON	N° 5	960-1100 mm	2000 mm	60/S/P/NR200SEN	-	960-1100 mm	2000 mm
60/S/P/NR250CON	N° 6	1110-1350 mm	2500 mm	60/S/P/NR250SEN	-	1110-1350 mm	2500 mm
60/S/P/NR300CON	N° 7	1360-1600 mm	3000 mm	60/S/P/NR300SEN	-	1360-1600 mm	3000 mm



ADJUSTABLE LOWER TRACK / GUIDA INFERIORE REGOLABILE					
					
ART. 121	ART. 90	ART. 409	OPTIONAL		

Classic

Slides with standard bracket / Scorrevoli con staffa normale
 Coulisses avec etrier normal / Schlitten mit normalem bügel
 Elementos de deslizamiento con estribo normal



60 Kg



N.2 Hydraulic closing
 N.2 Fermi idraulici



Door width - Min. 700 mm
 Larghezza porta - Min. 700 mm



Turned weels
 Ruote tornite

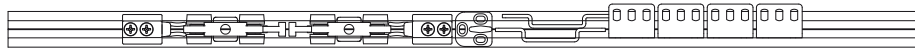
CODE	KIT IN BOX					
60/TG/NR/S/FAN						
60/TG/NR/C/FAN						

ALUMINIUM TRACKS / BINARI IN ALLUMINIO

From pag.86
 Da pag.86

STANDARD	OPTIONAL				
ART. 1280	ART. 1080	ART. 1359	ART. 1559	ART. 1700 - 1720	ART. 1700 - 1710

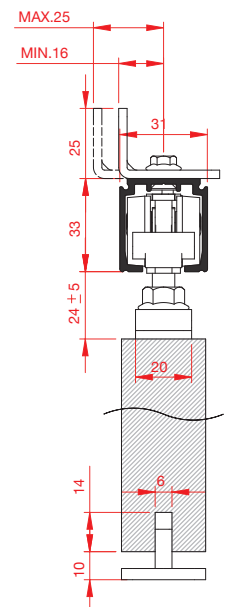
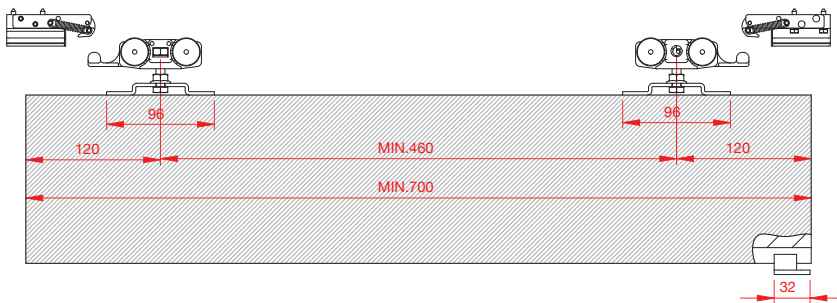
KIT IN BLISTER



CODE (with brackets) - CODICE (con squadrette)

CODE (without brackets) - CODICE (senza squadrette)

Barcode	MIN-MAX	TRACK-BINARIO	Barcode	MIN-MAX	TRACK-BINARIO
	N° 4	700-850 mm		-	700-850 mm
	N° 5	860-950 mm		-	860-950 mm
	N° 5	960-1100 mm		-	960-1100 mm
	N° 6	1110-1350 mm		-	1110-1350 mm
	N° 7	1360-1600 mm		-	1360-1600 mm



ADJUSTABLE LOWER TRACK / GUIDA INFERIORE REGOLABILE

ART. 121	ART. 90	ART. 409	OPTIONAL		

Slides with standard bracket / Scorrevoli con staffa normale
 Coulisses avec etrier normal / Schlitten mit normalem bügel
 Elementos de deslizamiento con estribo normal

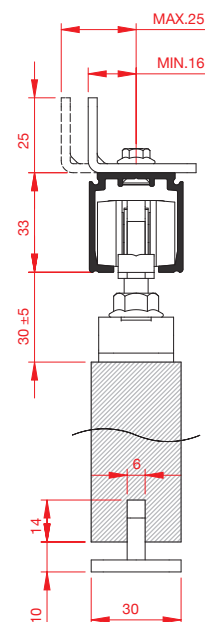
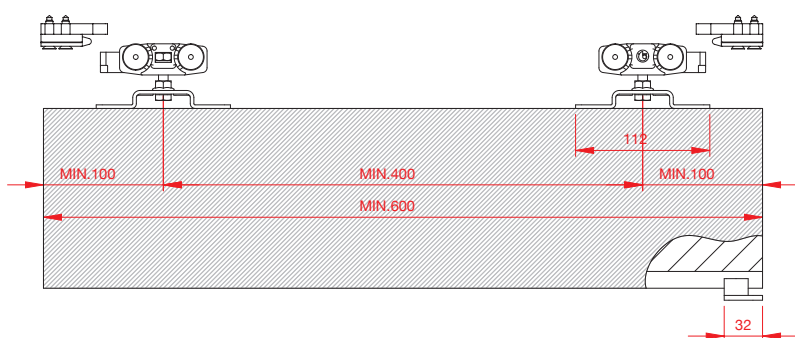
Classic

CODE	KIT IN BOX
80/T/G/NOR/SEN	
80/T/G/NOR/CON	

	80 Kg
	N.2 Classic stopper N.2 Fermi standard
	Door width - Min. 700 mm Larghezza porta - Min. 700 mm
	Turned wheels Ruote tornite

ALUMINIUM TRACKS / BINARI IN ALLUMINIO								From pag.86 Da pag.86
STANDARD	OPTIONAL							
ART. 1280	ART. 1080	ART. 1359	ART. 1559	ART. 1700 - 1720	ART. 1700 - 1710	ART. 80	ART. 1180	

KIT IN BLISTER							
CODE (with brackets) - CODICE (con squadrette)				CODE (without brackets) - CODICE (senza squadrette)			
			TRACK-BINARIO				TRACK-BINARIO
80/T/P/NR150CON	N° 4	700-850 mm	1500 mm	80/T/P/NR150SEN	-	700-850 mm	1500 mm
80/T/P/NR165CON	N° 5	860-950 mm	1650 mm	80/T/P/NR165SEN	-	860-950 mm	1650 mm
80/T/P/NR200CON	N° 5	960-1100 mm	2000 mm	80/T/P/NR200SEN	-	960-1100 mm	2000 mm
80/T/P/NR250CON	N° 6	1110-1350 mm	2500 mm	80/T/P/NR250SEN	-	1110-1350 mm	2500 mm
80/T/P/NR300CON	N° 7	1360-1600 mm	3000 mm	80/T/P/NR300SEN	-	1360-1600 mm	3000 mm



ADJUSTABLE LOWER TRACK / GUIDA INFERIORE REGOLABILE					
ART. 121	ART. 90	ART. 409	OPTIONAL		

Classic

Slides with standard bracket / Scorrevoli con staffa normale
 Coulisses avec etrier normal / Schlitten mit normalem bügel
 Elementos de deslizamiento con estribo normal



80 Kg



N.2 Classic stopper
 N.2 Fermi standard



Door width - Min. 700 mm
 Larghezza porta - Min. 700 mm



Moulded weels
 Ruote stampate

CODE	KIT IN BOX					
80/S/G/NOR/SEN						
80/S/G/NOR/CON						

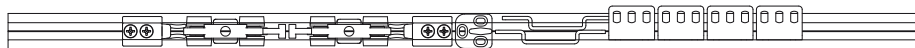
ALUMINIUM TRACKS / BINARI IN ALLUMINIO

From pag.86
 Da pag.86



STANDARD		OPTIONAL					
ART. 1280	ART. 1080	ART. 1359	ART. 1559	ART. 1700 - 1720	ART. 1700 - 1710	ART. 80	ART. 1180

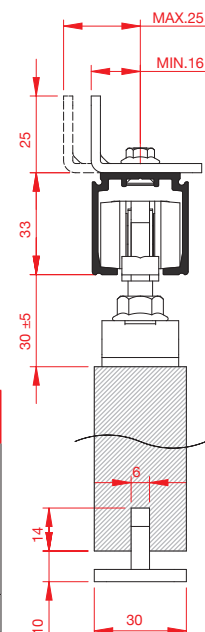
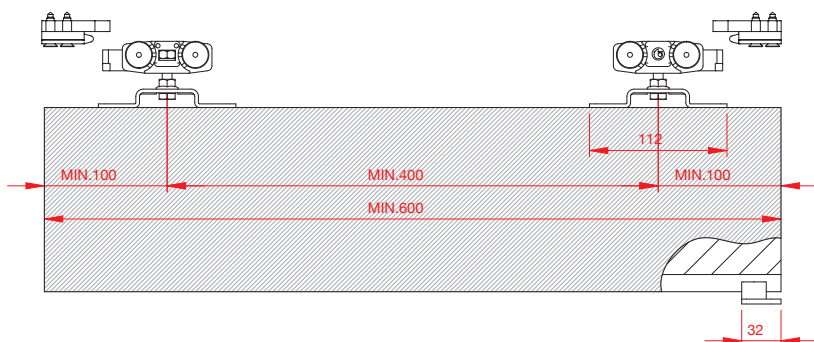
KIT IN BLISTER



CODE (with brackets) - CODICE (con squadrette)

CODE (without brackets) - CODICE (senza squadrette)

Barcode	Icon	MIN-MAX	TRACK-BINARIO	Barcode	Icon	MIN-MAX	TRACK-BINARIO
		700-850 mm	1500 mm			700-850 mm	1500 mm
80/S/P/NR150CON	N° 4	700-850 mm	1500 mm	80/S/P/NR150SEN	-	700-850 mm	1500 mm
80/S/P/NR165CON	N° 5	860-950 mm	1650 mm	80/S/P/NR165SEN	-	860-950 mm	1650 mm
80/S/P/NR200CON	N° 5	960-1100 mm	2000 mm	80/S/P/NR200SEN	-	960-1100 mm	2000 mm
80/S/P/NR250CON	N° 6	1110-1350 mm	2500 mm	80/S/P/NR250SEN	-	1110-1350 mm	2500 mm
80/S/P/NR300CON	N° 7	1360-1600 mm	3000 mm	80/S/P/NR300SEN	-	1360-1600 mm	3000 mm



ADJUSTABLE LOWER TRACK / GUIDA INFERIORE REGOLABILE

OPTIONAL					
ART. 121	ART. 90	ART. 409			

Slides with standard bracket / Scorrevoli con staffa normale
 Coulisses avec etrier normal / Schlitten mit normalem bügel
 Elementos de deslizamiento con estribo normal

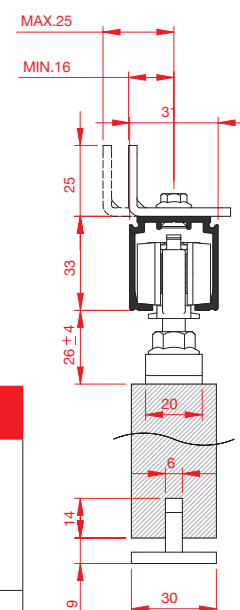
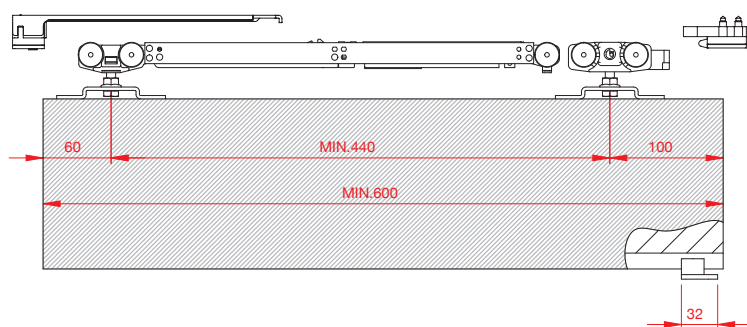
Classic

CODE	KIT IN BOX
1676Y/81T/G/S	
1676Y/81T/G/C	

	80 Kg
	N.1 Soft air closing N.1 Fermo ammortizzato
	N.1 Classic stopper N.1 Fermo standard
	Door width - Min. 700 mm Larghezza porta - Min. 700 mm
	Turned wheels Ruote tornite

ALUMINIUM TRACKS / BINARI IN ALLUMINIO						From pag.86 Da pag.86
STANDARD	OPTIONAL					
ART. 1280	ART. 1080	ART. 1359	ART. 1559	ART. 1700 - 1720	ART. 1700 - 1710	

KIT IN BLISTER							
CODE (with brackets) - CODICE (con squadrette)				CODE (without brackets) - CODICE (senza squadrette)			
			TRACK-BINARIO				TRACK-BINARIO
1676Y81T/150/C	N° 4	700-850 mm	1500 mm	1676Y81T/150/S	-	700-850 mm	1500 mm
1676Y81T/165/C	N° 5	860-950 mm	1650 mm	1676Y81T/165/S	-	860-950 mm	1650 mm
1676Y81T/200/C	N° 5	960-1100 mm	2000 mm	1676Y81T/200/S	-	960-1100 mm	2000 mm
1676Y81T/250/C	N° 6	1110-1350 mm	2500 mm	1676Y81T/250/S	-	1110-1350 mm	2500 mm
1676Y81T/300/C	N° 7	1360-1600 mm	3000 mm	1676Y81T/300/S	-	1360-1600 mm	3000 mm



ADJUSTABLE LOWER TRACK / GUIDA INFERIORE REGOLABILE					
ART. 121	ART. 90	ART. 409	OPTIONAL		

Classic

Slides with standard bracket / Scorrevoli con staffa normale
 Coulisses avec etrier normal / Schlitten mit normalem bügel
 Elementos de deslizamiento con estribo normal



80 Kg



N.2 Hydraulic closing
 N.2 Fermi idraulici



Door width - Min. 700 mm
 Larghezza porta - Min. 700 mm



Turned wheels
 Ruote tornite

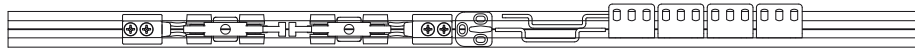
CODE	KIT IN BOX					
80/TG/NR/S/FAN						
80/TG/NR/C/FAN						

ALUMINIUM TRACKS / BINARI IN ALLUMINIO

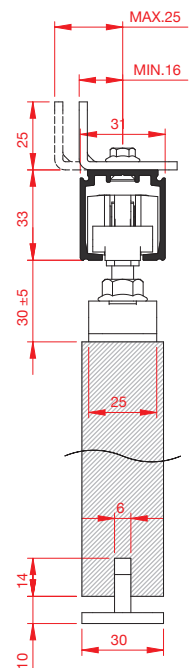
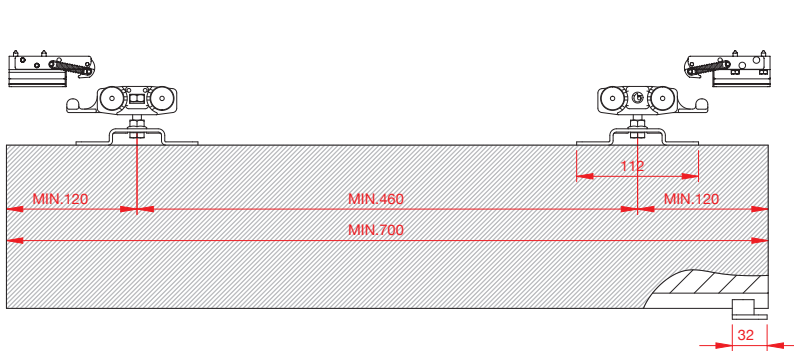
From pag.86
 Da pag.86

STANDARD	OPTIONAL				
ART. 1280	ART. 1080	ART. 1359	ART. 1559	ART. 1700 - 1720	ART. 1700 - 1710

KIT IN BLISTER



CODE (with brackets) - CODICE (con squadrette)				CODE (without brackets) - CODICE (senza squadrette)			
80T/PNR150CFAN	N° 4	700-850 mm	1500 mm	80T/PNR150SFAN	-	700-850 mm	1500 mm
80T/PNR165CFAN	N° 5	860-950 mm	1650 mm	80T/PNR165SFAN	-	860-950 mm	1650 mm
80T/PNR200CFAN	N° 5	960-1100 mm	2000 mm	80T/PNR200SFAN	-	960-1100 mm	2000 mm
80T/PNR250CFAN	N° 6	1110-1350 mm	2500 mm	80T/PNR250SFAN	-	1110-1350 mm	2500 mm
80T/PNR300CFAN	N° 7	1360-1600 mm	3000 mm	80T/PNR300SFAN	-	1360-1600 mm	3000 mm



ADJUSTABLE LOWER TRACK / GUIDA INFERIORE REGOLABILE

OPTIONAL					
ART. 121	ART. 90	ART. 409			

Slides with standard bracket / Scorrevoli con staffa normale
 Coulisses avec etrier normal / Schlitten mit normalem bügel
 Elementos de deslizamiento con estribo normal

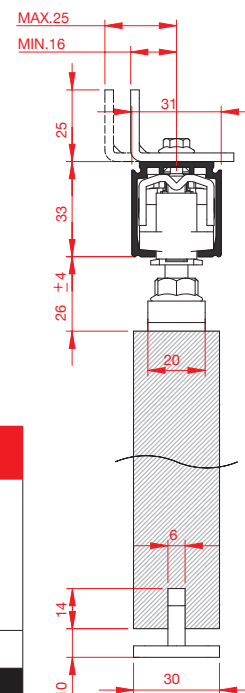
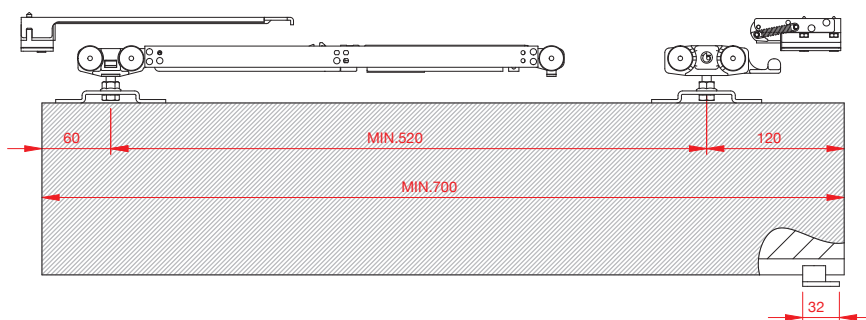
Classic

CODE	KIT IN BOX
1676Y1626/G/S	
1676Y1626/G/C	

	80 Kg
	N.1 Soft air closing N.1 Fermo ammortizzato
	N.1 Hydraulic closing N.1 Fermo idraulico
	Door width - Min. 732 mm Larghezza porta - Min. 732 mm
	Turned wheels Ruote tornite

ALUMINIUM TRACKS / BINARI IN ALLUMINIO						From pag.86 Da pag.86
STANDARD	OPTIONAL					
ART. 1280	ART. 1080	ART. 1359	ART. 1559	ART. 1700 - 1720	ART. 1700 - 1710	

KIT IN BLISTER							
CODE (with brackets) - CODICE (con squadrette)				CODE (without brackets) - CODICE (senza squadrette)			
			TRACK-BINARIO				TRACK-BINARIO
1676Y1626T/150C	N° 4	700-850 mm	1500 mm	1676Y1626T/150S	-	700-850 mm	1500 mm
1676Y1626T/165C	N° 5	860-950 mm	1650 mm	1676Y1626T/165S	-	860-950 mm	1650 mm
1676Y1626T/200C	N° 5	960-1100 mm	2000 mm	1676Y1626T/200S	-	960-1100 mm	2000 mm
1676Y1626T/250C	N° 6	1110-1350 mm	2500 mm	1676Y1626T/250S	-	1110-1350 mm	2500 mm
1676Y1626T/300C	N° 7	1360-1600 mm	3000 mm	1676Y1626T/300S	-	1360-1600 mm	3000 mm



ADJUSTABLE LOWER TRACK / GUIDA INFERIORE REGOLABILE					
ART. 121	ART. 90	ART. 409	OPTIONAL		

Classic

Slides with standard bracket / Scorrevoli con staffa normale
 Coulisses avec etrier normal / Schlitten mit normalem bügel
 Elementos de deslizamiento con estribo normal



80 Kg



N.2 Soft air closing
 N.2 Fermi ammortizzati



Door width - 732 ÷ 1100 mm
 Larghezza porta - 732 ÷ 1100 mm



Turned wheels
 Ruote tornite

CODE	KIT IN BOX
1673Y/G/S	
1673Y/G/C	

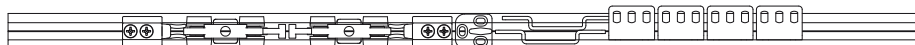
ALUMINIUM TRACKS / BINARI IN ALLUMINIO

From pag.86
 Da pag.86

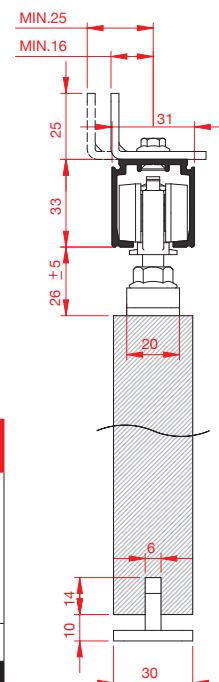
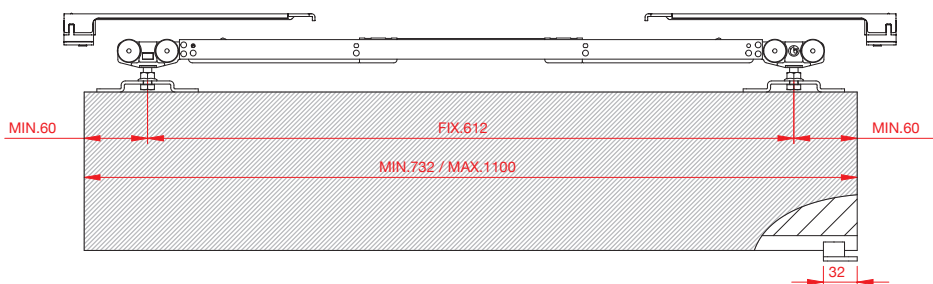


STANDARD		OPTIONAL			
ART. 1280	ART. 1080	ART. 1359	ART. 1559	ART. 1700 - 1720	ART. 1700 - 1710

KIT IN BLISTER



CODE (with brackets) - CODICE (con squadrette)				CODE (without brackets) - CODICE (senza squadrette)			
1673Y/150/CON	N° 4	732 - 850mm	1500 mm	1673Y/150/SEN	-	732 - 850mm	1500 mm
1673Y/165/CON	N° 5	860 - 950mm	1650 mm	1673Y/165/SEN	-	860 - 950mm	1650 mm
1673Y/200/CON	N° 5	960-1100mm	2000 mm	1673Y/200/SEN	-	960-1100mm	2000 mm



ADJUSTABLE LOWER TRACK / GUIDA INFERIORE REGOLABILE

OPTIONAL					
ART. 121	ART. 90	ART. 409			

Slides with standard bracket / Scorrevoli con staffa normale
 Coulisses avec etrier normal / Schlitten mit normalem bügel
 Elementos de deslizamiento con estribo normal

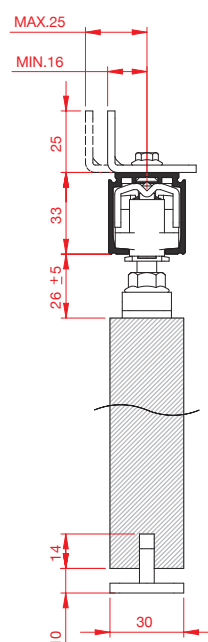
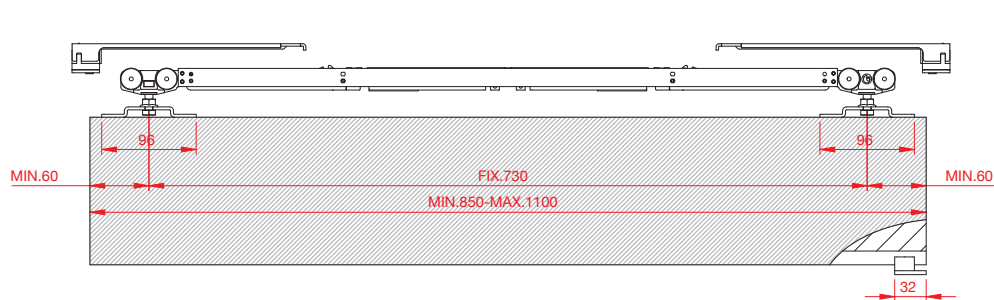
Classic

CODE	KIT IN BOX
1672Y/G/S	
1672Y/G/C	

- 80 Kg
- N.2 Soft air closing
N.2 Fermi ammortizzati
- Door width - 850 ÷ 1100 mm
Larghezza porta - 850 ÷ 1100 mm
- Turned wheels
Ruote tornite

ALUMINIUM TRACKS / BINARI IN ALLUMINIO						From pag.86 Da pag.86
STANDARD	OPTIONAL					
ART. 1280	ART. 1080	ART. 1359	ART. 1559	ART. 1700 - 1720	ART. 1700 - 1710	

KIT IN BLISTER							
CODE (with brackets) - CODICE (con squadrette)				CODE (without brackets) - CODICE (senza squadrette)			
			TRACK-BINARIO				TRACK-BINARIO
1672Y/165/CON	N° 5	850 - 950mm	1650 mm	1672Y/165/SEN	-	850 - 950mm	1650 mm
1672Y/200/CON	N° 5	960 - 1100mm	2000 mm	1672Y/200/SEN	-	960 - 1100mm	2000 mm



ADJUSTABLE LOWER TRACK / GUIDA INFERIORE REGOLABILE					
OPTIONAL					
ART. 121	ART. 90	ART. 409			

Classic

Slides with standard bracket / Scorrevoli con staffa normale
 Coulisses avec etrier normal / Schlitten mit normalem bügel
 Elementos de deslizamiento con estribo normal



80 Kg



N.2 Soft air closing
 N.2 Fermi ammortizzati



Door width - Min. 700 mm
 Larghezza porta - Min. 700 mm



Turned weels
 Ruote tornite

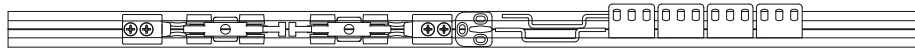
CODE	KIT IN BOX
1676Y1676Y/G/S	
1676Y1676Y/G/C	

ALUMINIUM TRACKS / BINARI IN ALLUMINIO

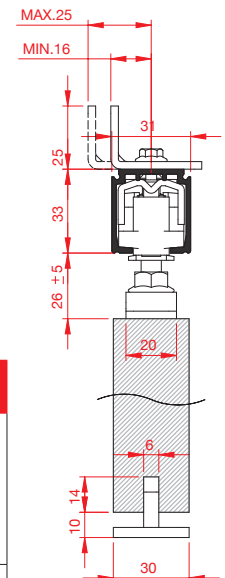
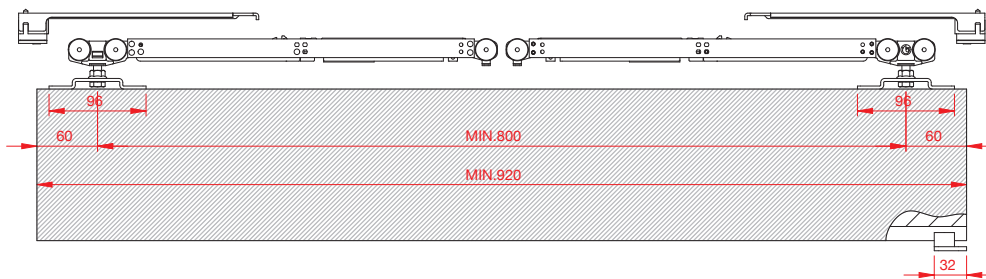
From pag.86
 Da pag.86

STANDARD		OPTIONAL			
ART. 1280	ART. 1080	ART. 1359	ART. 1559	ART. 1700 - 1720	ART. 1700 - 1710

KIT IN BLISTER



CODE (with brackets) - CODICE (con squadrette)				CODE (without brackets) - CODICE (senza squadrette)			
Barcode	Profile	MIN-MAX	TRACK-BINARIO	Barcode	Profile	MIN-MAX	TRACK-BINARIO
1676Y1676Y/200C	N° 5	920-1100mm	2000mm	1676Y1676Y/200S	-	920-1100mm	2000mm
1676Y1676Y/250C	N° 6	1100-1350 mm	2500 mm	1676Y1676Y/250S	-	1100-1350 mm	2500 mm
1676Y1676Y/300C	N° 7	1360-1600 mm	3000 mm	1676Y1676Y/300S	-	1360-1600 mm	3000 mm



ADJUSTABLE LOWER TRACK / GUIDA INFERIORE REGOLABILE

					PATENTED
OPTIONAL					
ART. 121	ART. 90	ART. 409			

Slides with standard bracket / Scorrevoli con staffa normale
 Coulisses avec etrier normal / Schlitten mit normalem bügel
 Elementos de deslizamiento con estribo normal

Classic

CODE	KIT IN BOX
100/T/G/NOR/SEN	
100/T/G/NOR/CON	



120 Kg



N.2 Classic stopper
 N.2 Fermi standard



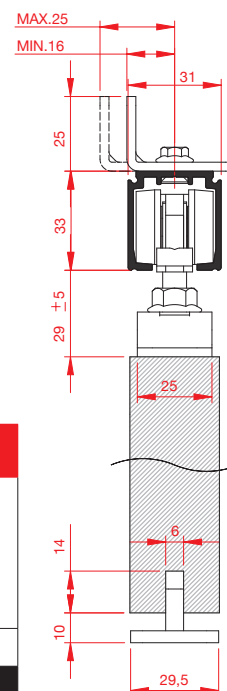
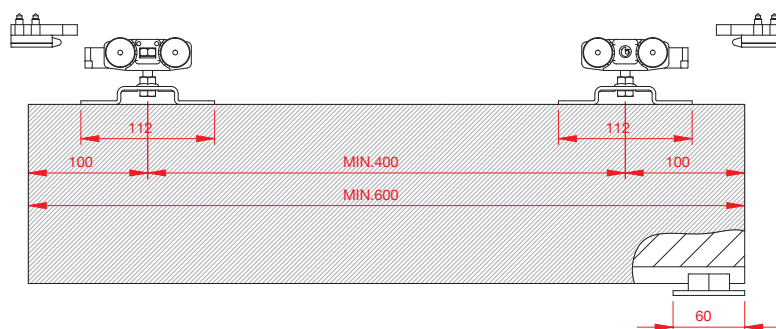
Door width - Min. 700 mm
 Larghezza porta - Min. 700 mm



Turned wheels
 Ruote tornite

ALUMINIUM TRACKS / BINARI IN ALLUMINIO						From pag.86 Da pag.86
STANDARD	OPTIONAL					
ART. 1280	ART. 1080	ART. 1359	ART. 1559	ART. 1700 - 1720	ART. 1700 - 1710	

KIT IN BLISTER							
CODE (with brackets) - CODICE (con squadrette)				CODE (without brackets) - CODICE (senza squadrette)			
			TRACK-BINARIO				TRACK-BINARIO
100/T/P/NR150CO	N° 4	700-850 mm	1500 mm	100/T/P/NR150SE	-	700-850 mm	1500 mm
100/T/P/NR165CO	N° 5	860-950 mm	1650 mm	100/T/P/NR165SE	-	860-950 mm	1650 mm
100/T/P/NR200CO	N° 5	960-1100 mm	2000 mm	100/T/P/NR200SE	-	960-1100 mm	2000 mm
100/T/P/NR250CO	N° 6	1110-1350 mm	2500 mm	100/T/P/NR250SE	-	1110-1350 mm	2500 mm
100/T/P/NR300CO	N° 7	1360-1600 mm	3000 mm	100/T/P/NR300SE	-	1360-1600 mm	3000 mm



ADJUSTABLE LOWER TRACK / GUIDA INFERIORE REGOLABILE					
ART. 121	ART. 90	ART. 409	OPTIONAL		

Classic

Slides with standard bracket / Scorrevoli con staffa normale
 Coulisses avec etrier normal / Schlitten mit normalem bügel
 Elementos de deslizamiento con estribo normal

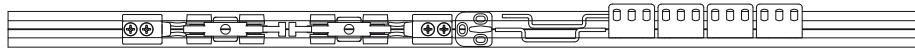
	120 Kg
	N.1 Soft air closing N.1 Fermo ammortizzato
	N.1 Classic stopper N.1 Fermo standard
	Door width - Min. 700 mm Larghezza porta - Min. 700 mm
	Turned wheels Ruote tornite

CODE	KIT IN BOX
1677M/81T/G/S	
1677M/81T/G/C	

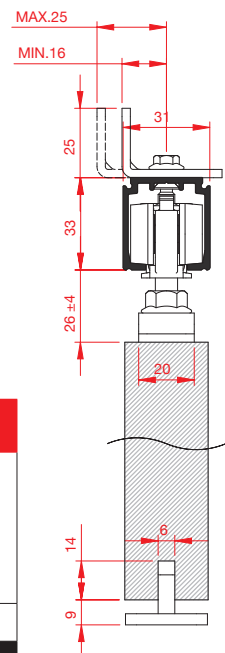
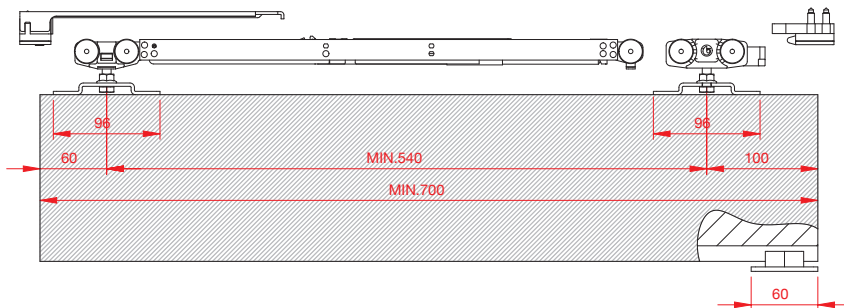
ALUMINIUM TRACKS / BINARI IN ALLUMINIO					
STANDARD		OPTIONAL			
ART. 1280	ART. 1080	ART. 1359	ART. 1559	ART. 1700 - 1720	ART. 1700 - 1710

From pag.86
Da pag.86

KIT IN BLISTER



CODE (with brackets) - CODICE (con squadrette)				CODE (without brackets) - CODICE (senza squadrette)			
		MIN-MAX	TRACK-BINARIO			MIN-MAX	TRACK-BINARIO
1677M/81T/150CON	N° 4	700-850 mm	1500 mm	1677M/81T/150SEN	-	700-850 mm	1500 mm
1677M/81T/165CON	N° 5	860-950 mm	1650 mm	1677M/81T/165SEN	-	860-950 mm	1650 mm
1677M/81T/200CON	N° 5	960-1100 mm	2000 mm	1677M/81T/200SEN	-	960-1100 mm	2000 mm
1677M/81T/250CON	N° 6	1110-1350 mm	2500 mm	1677M/81T/250SEN	-	1110-1350 mm	2500 mm
1677M/81T/300CON	N° 7	1360-1600 mm	3000 mm	1677M/81T/300SEN	-	1360-1600 mm	3000 mm



ADJUSTABLE LOWER TRACK / GUIDA INFERIORE REGOLABILE					
OPTIONAL					
ART. 121	ART. 90	ART. 409			

Slides with standard bracket / Scorrevoli con staffa normale
 Coulisses avec etrier normal / Schlitten mit normalem bügel
 Elementos de deslizamiento con estribo normal

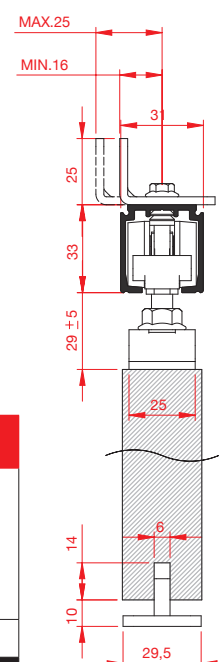
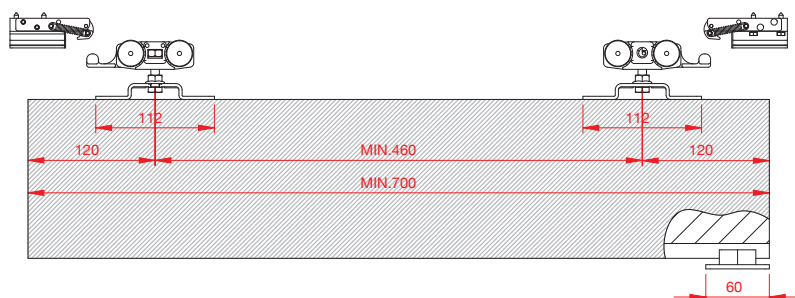
Classic

CODE	KIT IN BOX
100/TG/NR/S/FAN	
100/TG/NR/C/FAN	

	120 Kg
	N.2 Hydraulic closing N.2 Fermi idraulici
	Door width - Min. 700 mm Larghezza porta - Min. 700 mm
	Turned weels Ruote tornite

ALUMINIUM TRACKS / BINARI IN ALLUMINIO						From pag.86 Da pag.86
STANDARD	OPTIONAL					
ART. 1280	ART. 1080	ART. 1359	ART. 1559	ART. 1700 - 1720	ART. 1700 - 1710	

KIT IN BLISTER							
CODE (with brackets) - CODICE (con squadrette)				CODE (without brackets) - CODICE (senza squadrette)			
		MIN-MAX	TRACK-BINARIO			MIN-MAX	TRACK-BINARIO
100T/PNR150CFAN	N° 4	700-850 mm	1500 mm	100T/PNR150SFAN	-	700-850 mm	1500 mm
100T/PNR165CFAN	N° 5	860-950 mm	1650 mm	100T/PNR165SFAN	-	860-950 mm	1650 mm
100T/PNR200CFAN	N° 5	960-1100 mm	2000 mm	100T/PNR200SFAN	-	960-1100 mm	2000 mm
100T/PNR250CFAN	N° 6	1110-1350 mm	2500 mm	100T/PNR250SFAN	-	1110-1350 mm	2500 mm
100T/PNR300CFAN	N° 7	1360-1600 mm	3000 mm	100T/PNR300SFAN	-	1360-1600 mm	3000 mm



ADJUSTABLE LOWER TRACK / GUIDA INFERIORE REGOLABILE					
ART. 121	ART. 90	ART. 409	OPTIONAL		

Classic

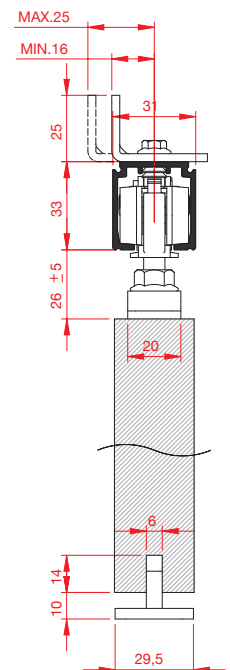
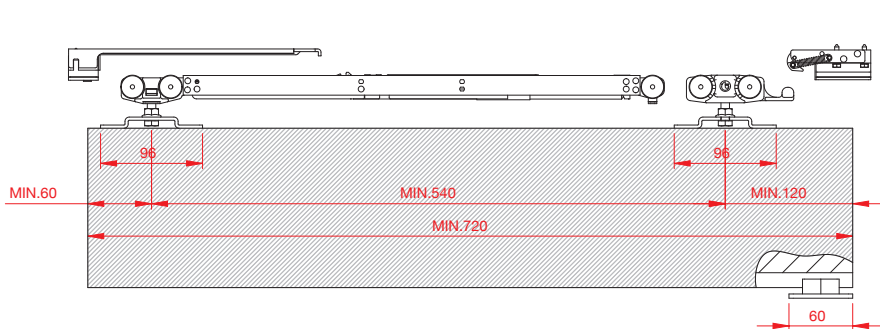
Slides with standard bracket / Scorrevoli con staffa normale
 Coulisses avec etrier normal / Schlitten mit normalem bügel
 Elementos de deslizamiento con estribo normal

	120 Kg
	N.1 Soft air closing N.1 Fermo ammortizzato
	N.1 Hydraulic closing N.1 Fermo idraulico
	Door width - Min. 700 mm Larghezza porta - Min. 700 mm
	Turned weels Ruote tornite

CODE	KIT IN BOX
1677M/1626/G/S	
1677M/1626/G/C	

ALUMINIUM TRACKS / BINARI IN ALLUMINIO						From pag.86 Da pag.86
STANDARD		OPTIONAL				
ART. 1280	ART. 1080	ART. 1359	ART. 1559	ART. 1700 - 1720	ART. 1700 - 1710	

KIT IN BLISTER							
CODE (with brackets) - CODICE (con squadrette)				CODE (without brackets) - CODICE (senza squadrette)			
			TRACK-BINARIO				TRACK-BINARIO
1677M1626T/150CON	N° 4	700-850 mm	1500 mm	1677M1626T/150SEN	-	700-850 mm	1500 mm
1677M1626T/165CON	N° 5	860-950 mm	1650 mm	1677M1626T/165SEN	-	860-950 mm	1650 mm
1677M1626T/200CON	N° 5	960-1100 mm	2000 mm	1677M1626T/200SEN	-	960-1100 mm	2000 mm
1677M1626T/250CON	N° 6	1110-1350 mm	2500 mm	1677M1626T/250SEN	-	1110-1350 mm	2500 mm
1677M1626T/300CON	N° 7	1360-1600 mm	3000 mm	1677M1626T/300SEN	-	1360-1600 mm	3000 mm



ADJUSTABLE LOWER TRACK / GUIDA INFERIORE REGOLABILE					
OPTIONAL					
ART. 121	ART. 90	ART. 409			

Slides with standard bracket / Scorrevoli con staffa normale
 Coulisses avec etrier normal / Schlitten mit normalem bügel
 Elementos de deslizamiento con estribo normal

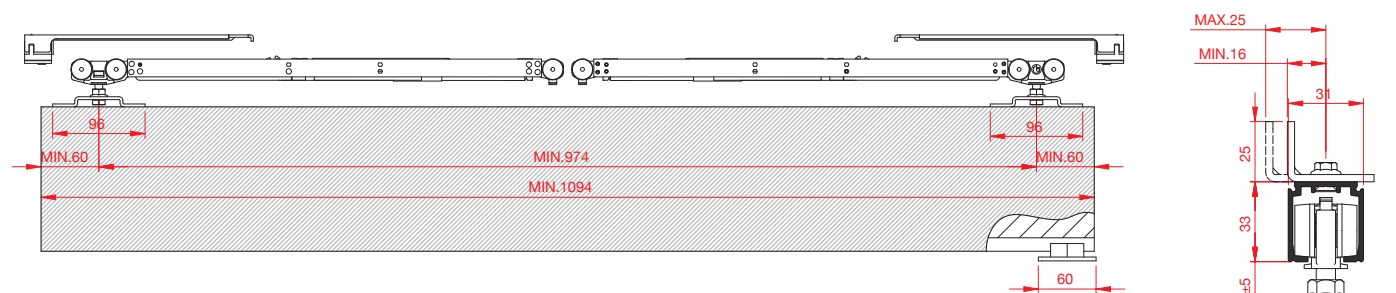
Classic

CODE	KIT IN BOX
1677M1677M/G/S	
1677M1677M/G/C	

	120 Kg
	N.2 Soft air closing N.2 Fermi ammortizzati
	Door width - Min. 1094 mm Larghezza porta - Min. 1094 mm
	Turned wheels Ruote tornite

ALUMINIUM TRACKS / BINARI IN ALLUMINIO						From pag.86 Da pag.86
STANDARD	OPTIONAL					
ART. 1280	ART. 1080	ART. 1359	ART. 1559	ART. 1700 - 1720	ART. 1700 - 1710	





KIT IN BLISTER							
CODE (with brackets) - CODICE (con squadrette)				CODE (without brackets) - CODICE (senza squadrette)			
			TRACK-BINARIO				TRACK-BINARIO
1677M1677M/250CON	N° 6	1094-1350mm	2500mm	1677M1677M/250SEN	-	1094-1350mm	2500mm
1677M1677M/300CON	N° 7	1360-1600mm	3000mm	1677M1677M/300SEN	-	1360-1600mm	3000mm

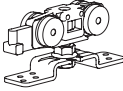
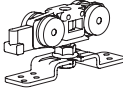


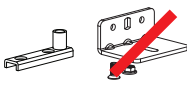
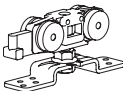
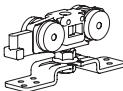


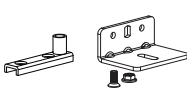





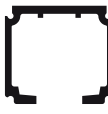

ADJUSTABLE LOWER TRACK / GUIDA INFERIORE REGOLABILE					
OPTIONAL					
ART. 121	ART. 90	ART. 409			

Classic

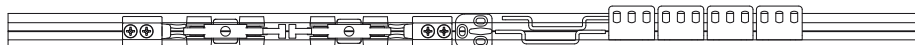
Slides with standard bracket / Scorrevoli con staffa normale
 Coulisses avec etrier normal / Schlitten mit normalem bügel
 Elementos de deslizamiento con estribo normal









-  160 Kg
-  N.2 Classic stopper
N.2 Fermi standard
-  Door width - Min. 700 mm
Larghezza porta - Min. 700 mm
-  Moulded weels
Ruote stampate

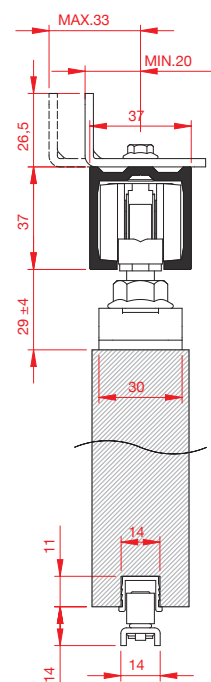
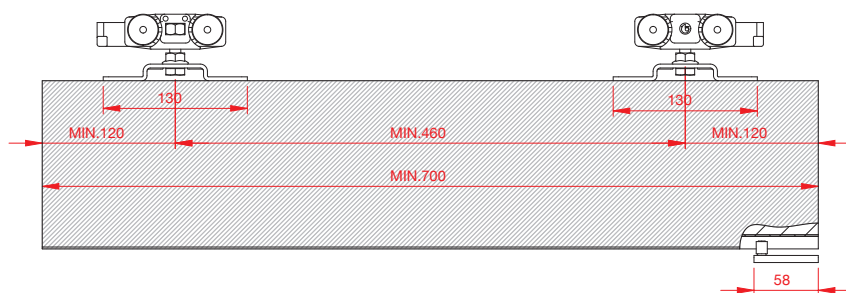
CODE	KIT IN BOX				
160/T/G/NOR/SEN					
160/T/G/NOR/CON					


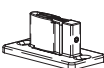
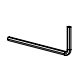
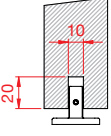
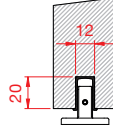

TRACKS / BINARI				From pag.86 Da pag.86 
				
ALUMINIUM / ALLUMINIO		PLASTIC / PLASTICA		
STANDARD	OPTIONAL		STANDARD	
ART. 1160	ART. 160	ART. 1660	ART. 760/N	

KIT IN BLISTER



CODE (with brackets) - CODICE (con squadrette)				CODE (without brackets) - CODICE (senza squadrette)			
							
160/T/P/NR150CO	N° 4	700-850 mm	1500 mm	160/T/P/NR150SE	-	700-850 mm	1500 mm
160/T/P/NR165CO	N° 5	860-950 mm	1650 mm	160/T/P/NR165SE	-	860-950 mm	1650 mm
160/T/P/NR200CO	N° 5	960-1100 mm	2000 mm	160/T/P/NR200SE	-	960-1100 mm	2000 mm
160/T/P/NR250CO	N° 6	1110-1350 mm	2500 mm	160/T/P/NR250SE	-	1110-1350 mm	2500 mm
160/T/P/NR300CO	N° 7	1360-1600 mm	3000 mm	160/T/P/NR300SE	-	1360-1600 mm	3000 mm



ADJUSTABLE LOWER TRACK / GUIDA INFERIORE REGOLABILE					
					
OPTIONAL					
ART. 121	ART. 90	ART. 409			

Slides with standard bracket / Scorrevoli con staffa normale
 Coulisses avec etrier normal / Schlitten mit normalem bügel
 Elementos de deslizamiento con estribo normal

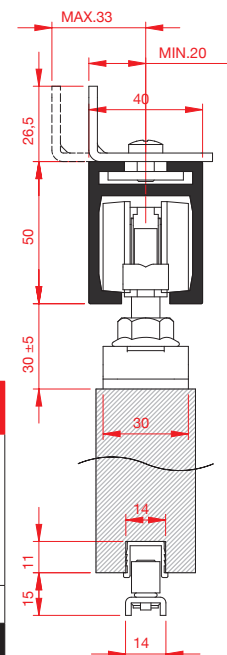
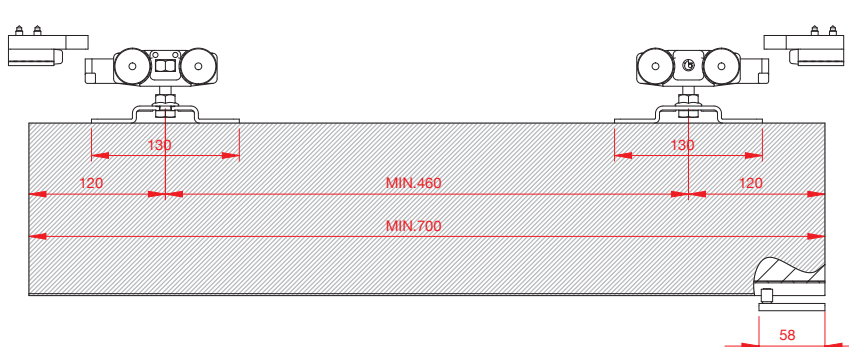
Classic

CODE	KIT IN BOX
240/T/G/NOR/SEN	
240/T/G/NOR/CON	

	240 Kg
	N.2 Classic stopper N.2 Fermi standard
	Door width - Min. 700 mm Larghezza porta - Min. 700 mm
	Turned weels Ruote tornite

TRACKS / BINARI		From pag.86 Da pag.86
ALUMINIUM / ALLUMINIO	PLASTIC / PLASTICA	
STANDARD		
ART. 201	ART. 760/N	

KIT IN BLISTER							
CODE (with brackets) - CODICE (con squadrette)				CODE (without brackets) - CODICE (senza squadrette)			
			TRACK-BINARIO				TRACK-BINARIO
240/T/P/NR150CO	N° 4	700-850 mm	1500 mm	240/T/P/NR150SE	-	700-850 mm	1500 mm
240/T/P/NR165CO	N° 5	860-950 mm	1650 mm	240/T/P/NR165SE	-	860-950 mm	1650 mm
240/T/P/NR200CO	N° 5	960-1100 mm	2000 mm	240/T/P/NR200SE	-	960-1100 mm	2000 mm
240/T/P/NR250CO	N° 6	1110-1350 mm	2500 mm	240/T/P/NR250SE	-	1110-1350 mm	2500 mm
240/T/P/NR300CO	N° 7	1360-1600 mm	3000 mm	240/T/P/NR300SE	-	1360-1600 mm	3000 mm



ADJUSTABLE LOWER TRACK / GUIDA INFERIORE REGOLABILE				
ART. 121	ART. 90	ART. 409	OPTIONAL	

PATENTED

