

# 806 14 P2 VI



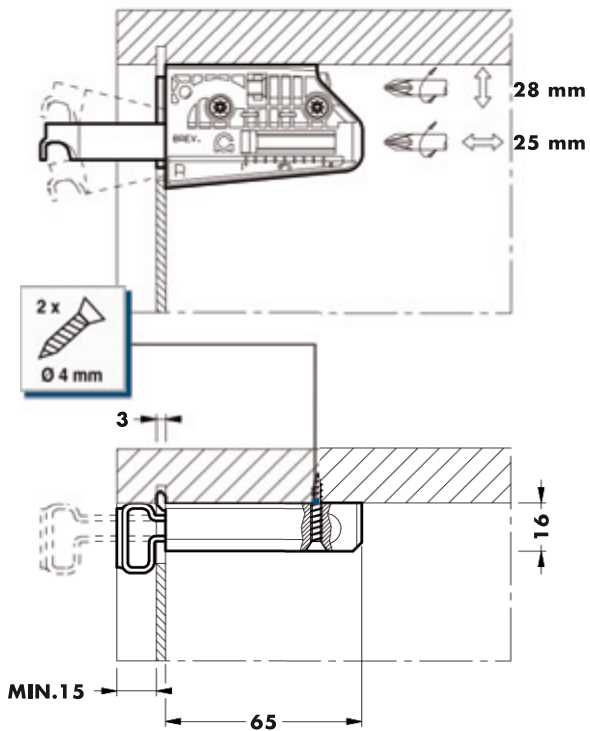
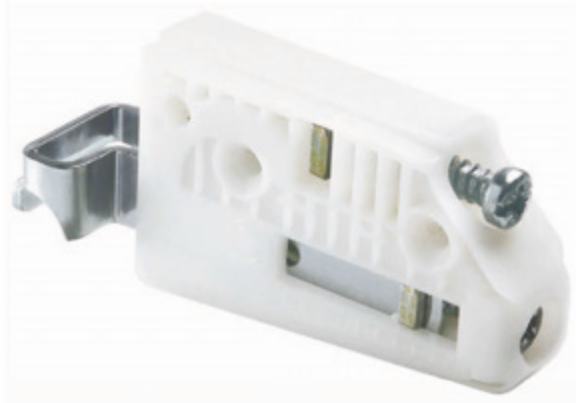
DX  
SX



			586-587 <a href="http://www.camar.it/warning">www.camar.it/warning</a>
--	--	--	---

			ABS	Fe
--	--	--	-----	----

200	6000	1200
-----	------	------



9		<b>870</b> 558	<b>873</b> 559	<b>874</b> 559	<b>875</b> 560-562
		<b>880</b> 566	<b>890 AC 00 60 LS</b> 569	<b>890 AC 01 00 LS</b> 570	<b>890 AC 01 20 LS</b> 571
9		<b>806</b> 527-528			

