


# 801 22 ZV IN

□  
DX  
SX  





**New**






**FOR YOUR SAFETY WARNING**

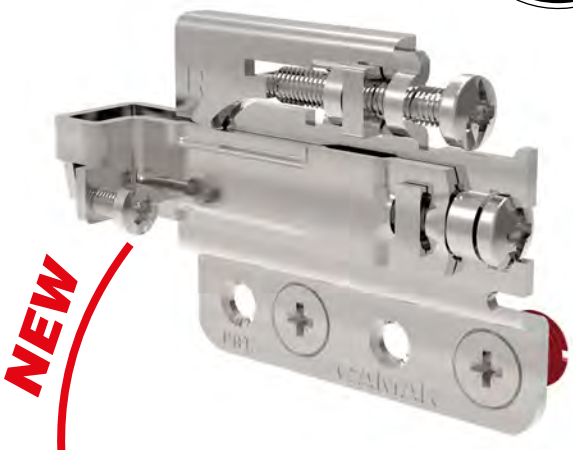


kg ?  
[www.camar.it/warning](http://www.camar.it/warning)

**3D**  **19 mm**  **22 mm**   **Fe**

**PA6**

 200  6000  1200



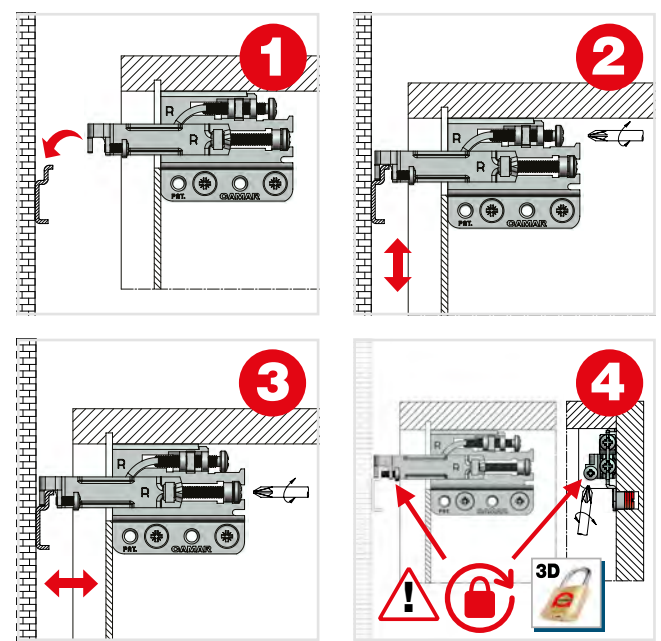
**NEW**


**875 AS**


**+**

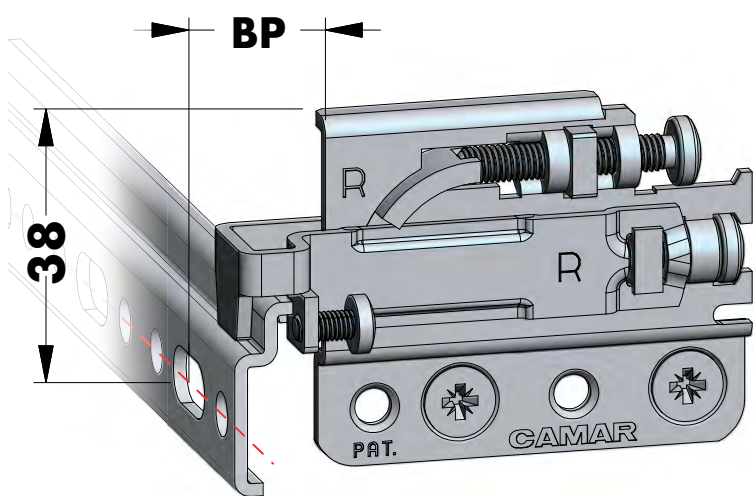


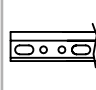




**=**


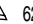
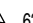


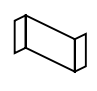

 **3D** After assembly, verify that the anti-drop system has been activated.

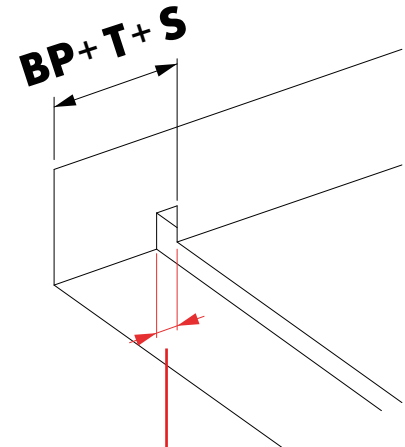
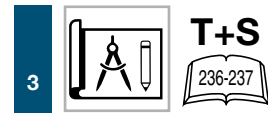
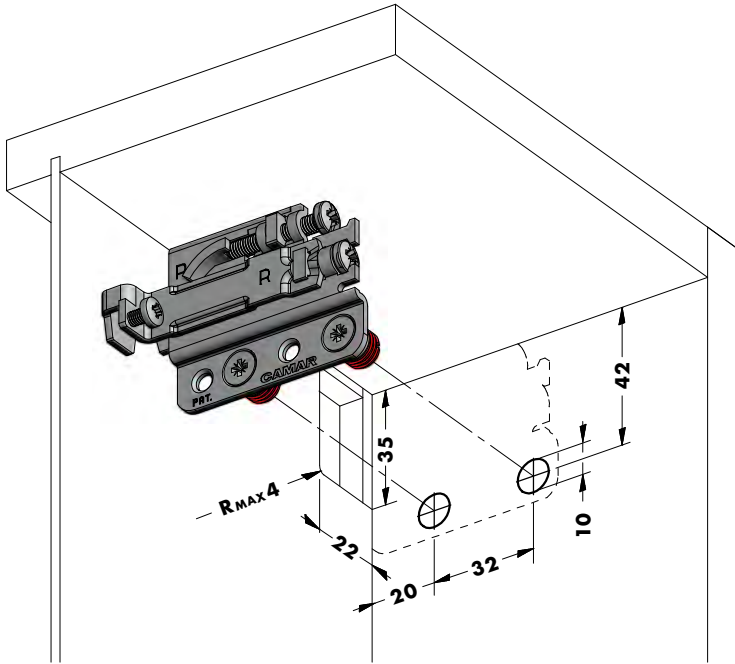
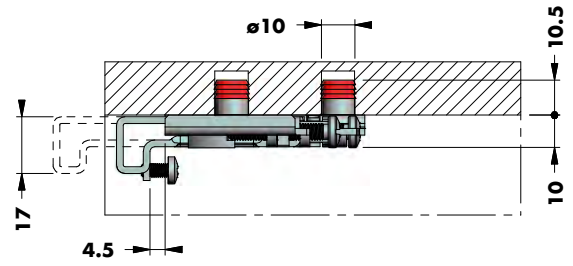
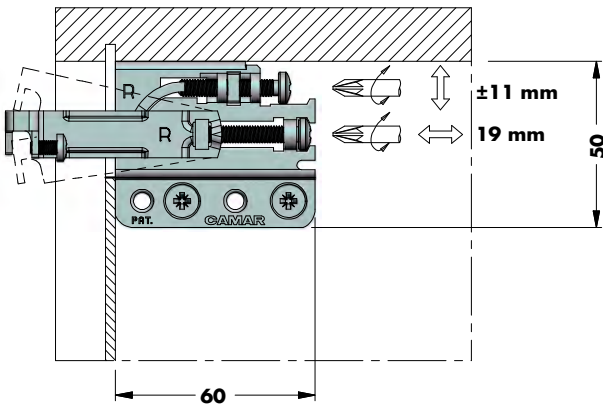
 **3D** Verificare dopo il montaggio l'avvenuta attivazione del sistema antigancio.



	<b>BRACKET PLATE</b>	<b>875 AS Z1 00 47</b>  674
		<b>875 AS Z1 00 60</b>  674
		<b>875 AS Z1 □ □ □</b>  674-675
		<b>875 AS Z1 20 32</b>  675

	<b>801 00 P2 AP 00</b>  626
	<b>807 00 P2 MA 00</b>  630

	<b>801 00 □ 00 □</b>  627
---	--



801 00 □ 00 □ max. 9 + S

# 807 00 P2 MA 00

**New**



Ø10mm

ABS

Fe

