



10 min

A

Optional

x 4

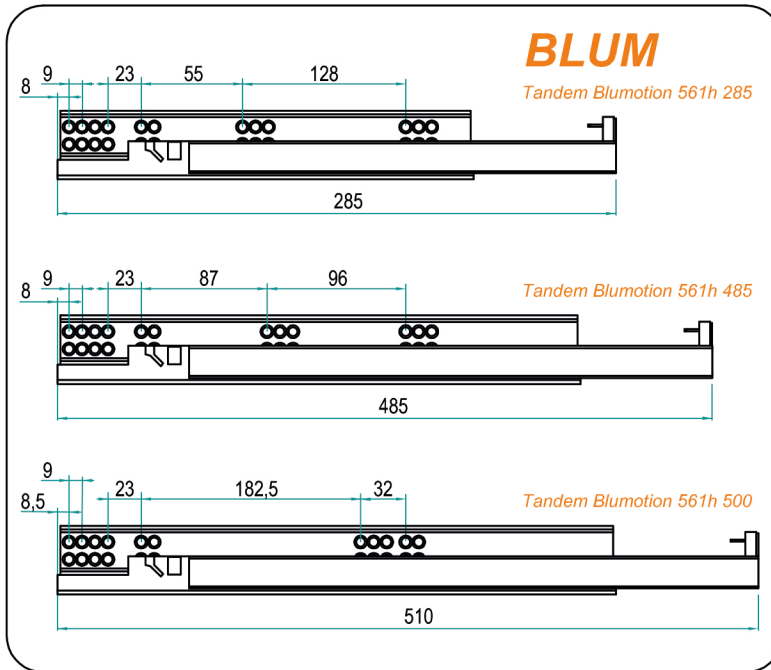


B

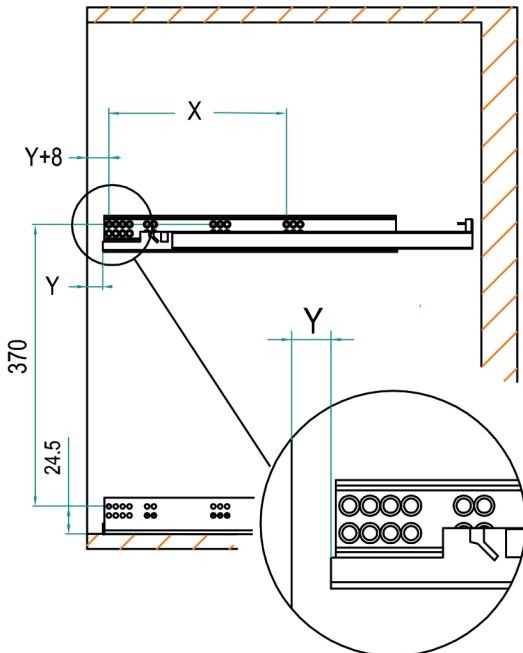
x 2



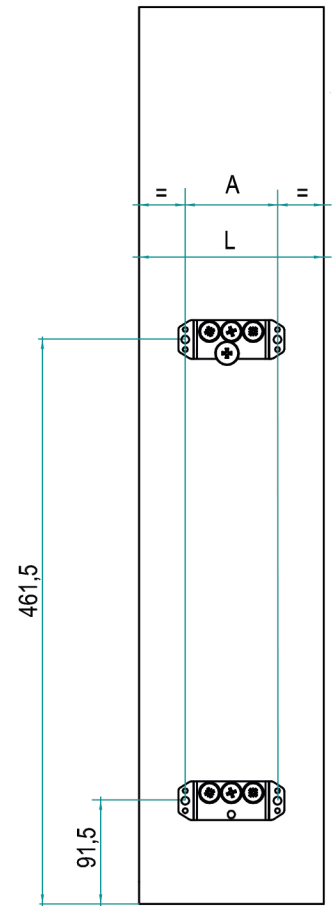
1



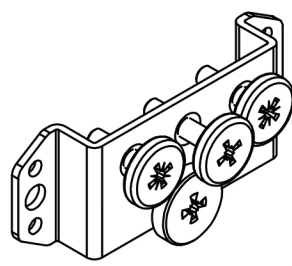
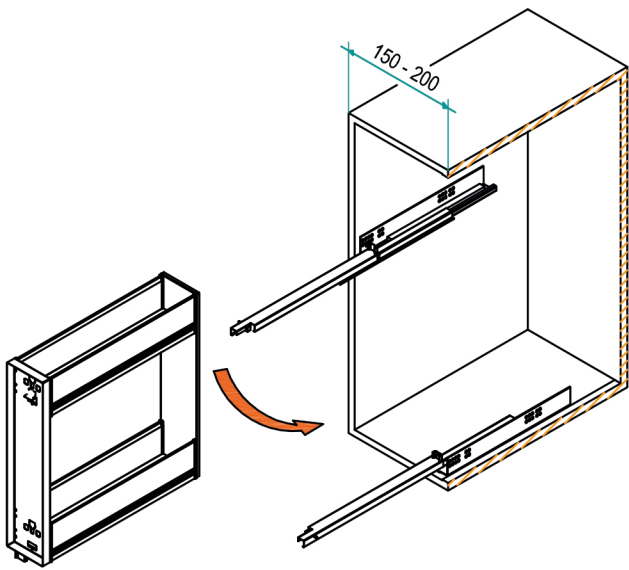
Code	X [mm]	Y [mm]	Slides
7104KKY/1528	233	9	561h 250
7104KKY/15	206	26	561h 485
7104KKY/15	232,5	20	561h 500
7104KKY/20			



2

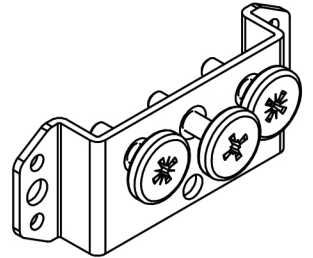


Code	L [mm]	A [mm]
7104KKY/15	150	74
7104KKY/20	200	124

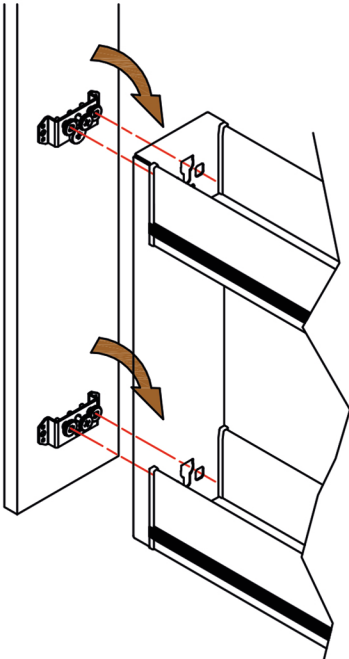


SUPERIORE
UPPER

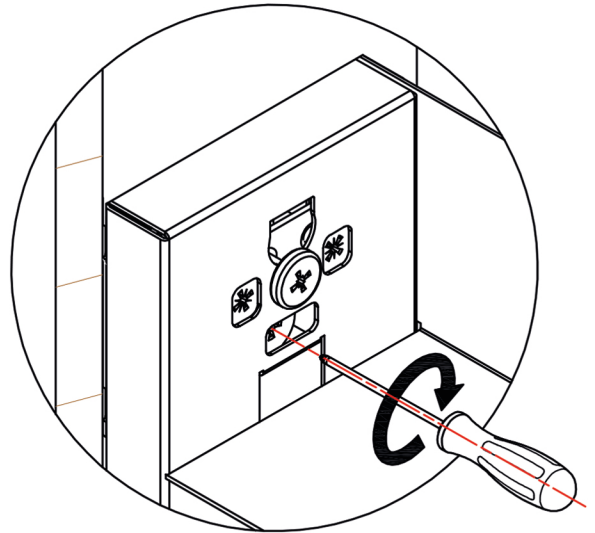
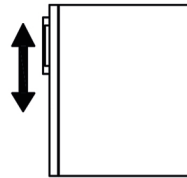
INFERIORE
LOWER



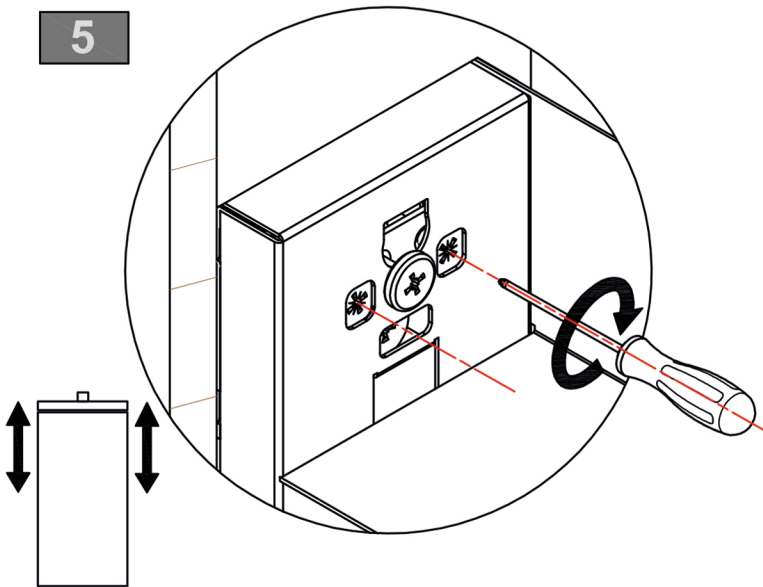
3



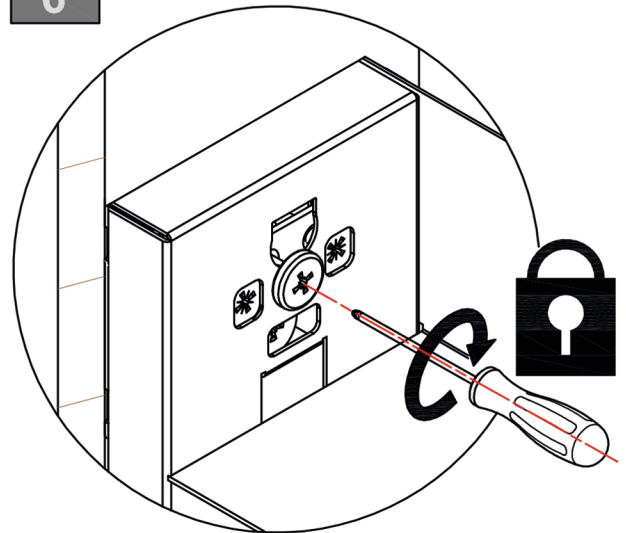
4



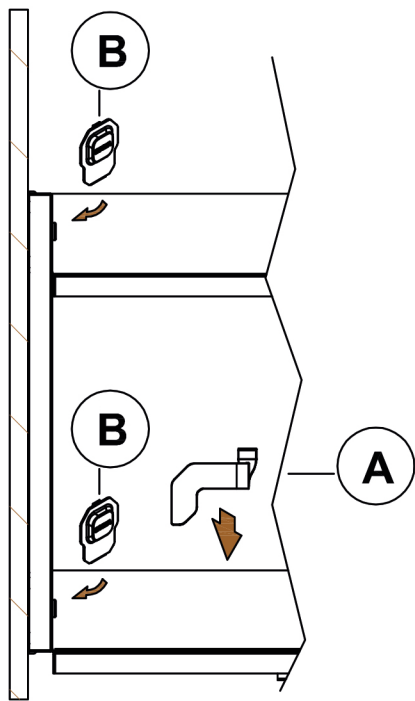
5



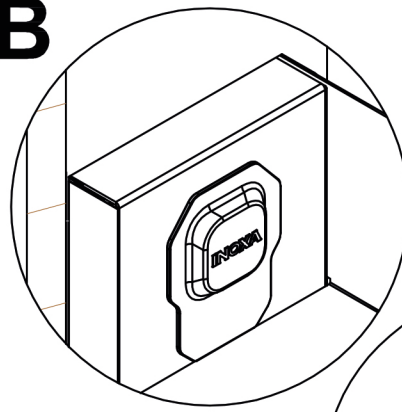
6



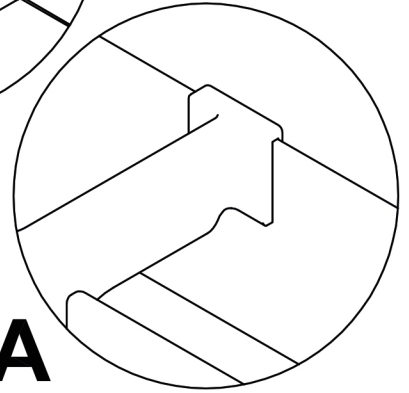
7



B

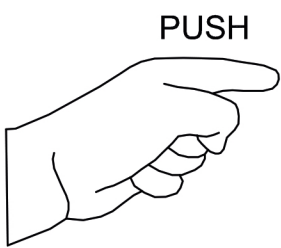
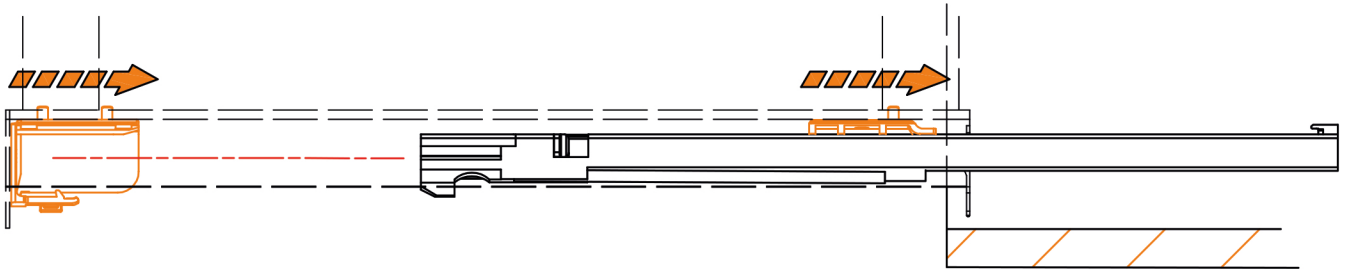


A

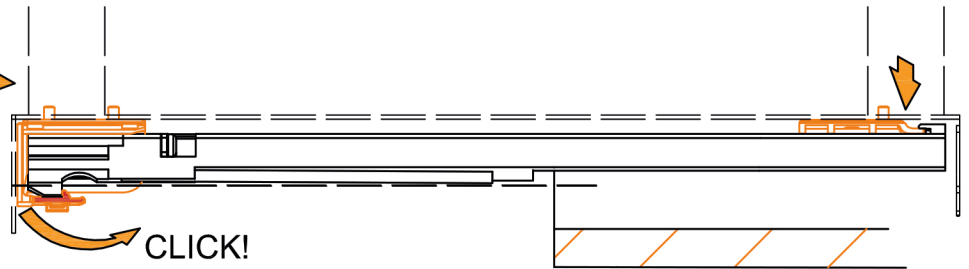


1.1

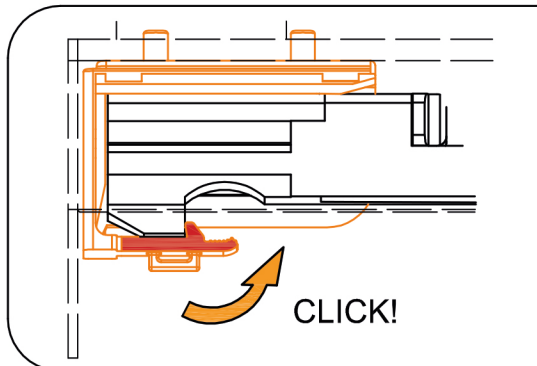
INSERIMENTO ARTICOLO
BASKET INSERT



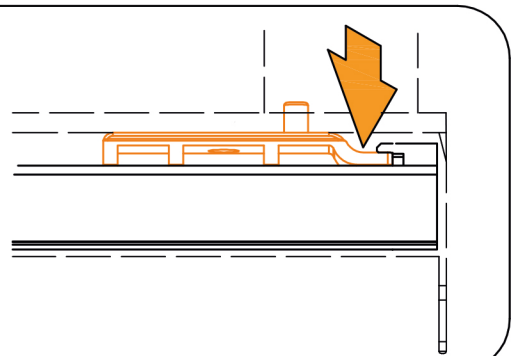
PUSH



CLICK!



CLICK!



1.2

RIMOZIONE CESTO
BASKET REMOVAL

