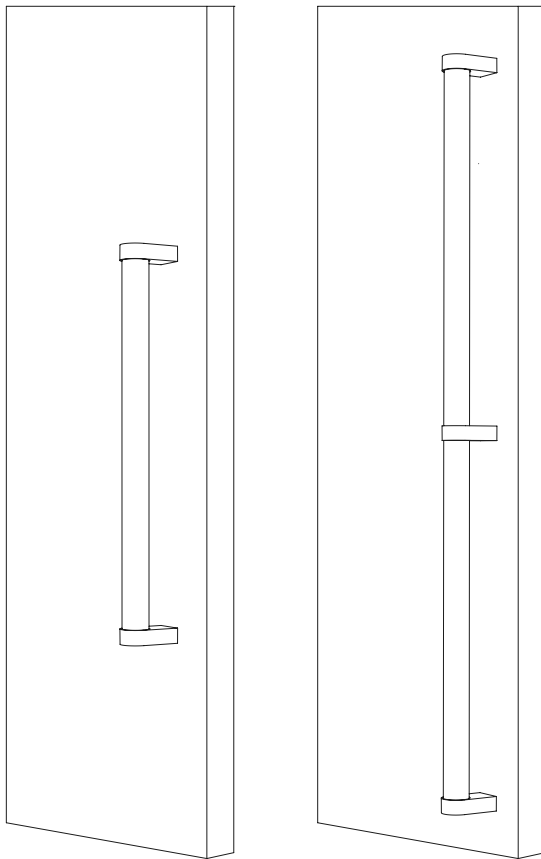


BIG Handle - Cut to size
Assembly guide



1.

Foot

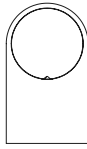
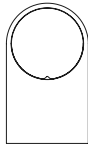
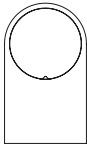
Connector

Foot

Allen-Key

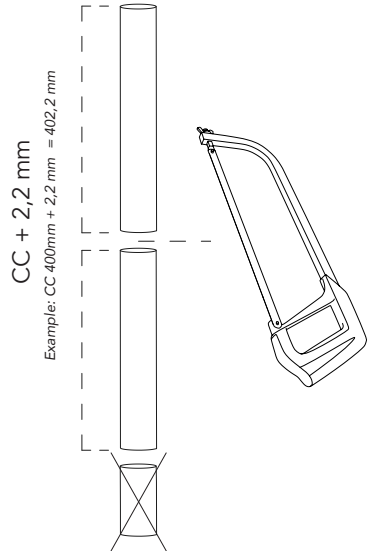
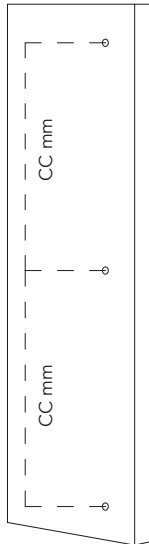
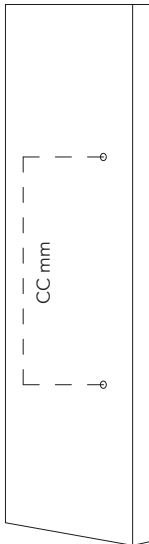
Plastic Insert

Steel bar



2.

Measure CC distance and cut bar in the correct length

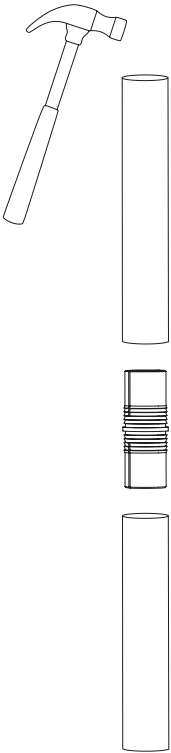


Dispose offcut as metal waste.

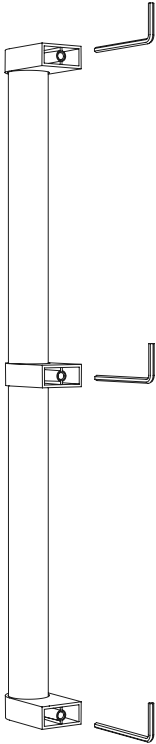
3.

BIG handle incl. Connector and Plastic insert

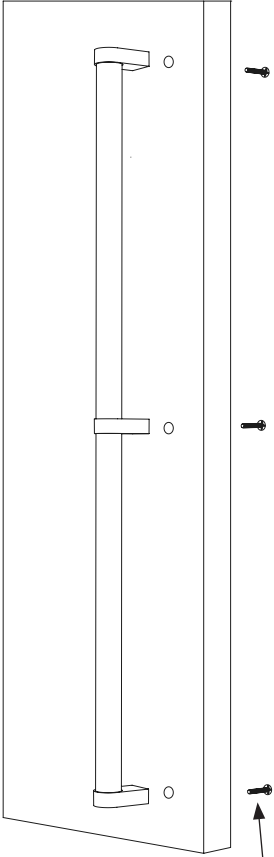
1. Connect



2. Secure



3. Mount



Screws not included

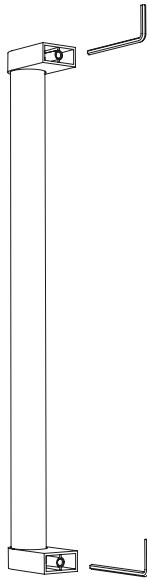
3.

BIG handle

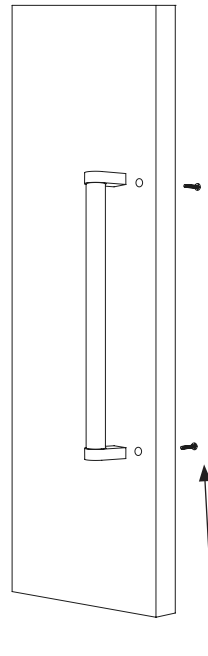
1. Measure



2. Secure



3. Mount



Screws not included