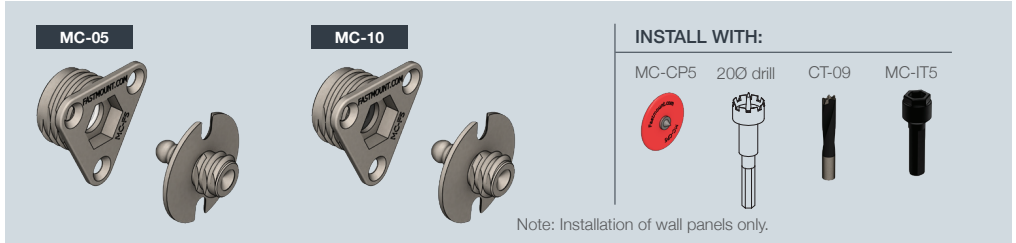
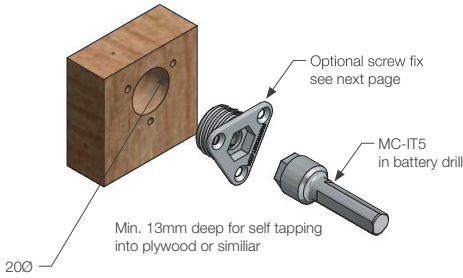


## MC-05 & MC-10 Metal Clip Set

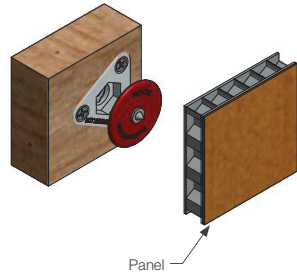


### INSTALLATION STEPS Self tapping method

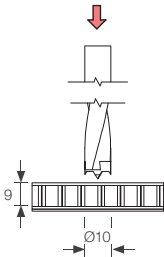
- 1** Drill hole through support frame and fit MC-F5 or MC-F10



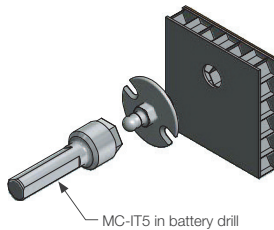
- 2** Mark panel with MC-CP5



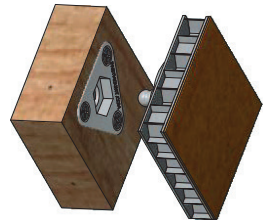
- 3** Drill panel on centre mark



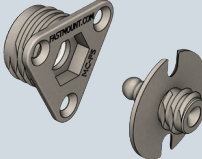
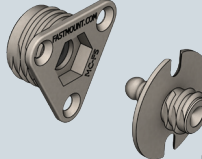




- 4** Self tapping screw fit MC-M5 into panel



- 5** Exploded cutaway view of installed clip set



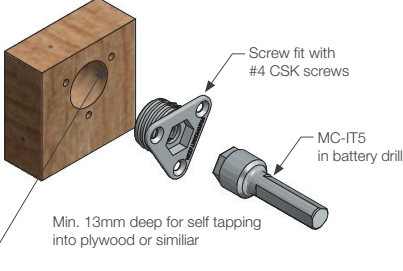
## MC-05 & MC-10 Maxi Metal Clip Set

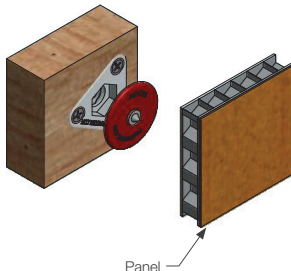
| MC-05  | MC-10   | USE WITH:             | INSTALL WITH:  |
|--|---|-----------------------|--|
|  |  | #4 gauge<br>CSK screw | MC-CP5  20Ø drill  CT-09  MC-IT5  |

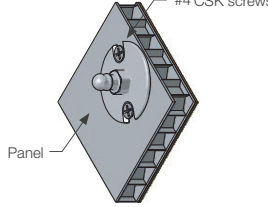
Note: Installation of wall panels only.

### INSTALLATION STEPS Screw fix method

- Drill hole through support frame and fit MC-F5 or MC-F10


- Mark panel with MC-CP5


- MC-M5 screw fixed to panel


- Exploded cutaway view of installed clip set

