

806 22 P2 IN



DX
SX



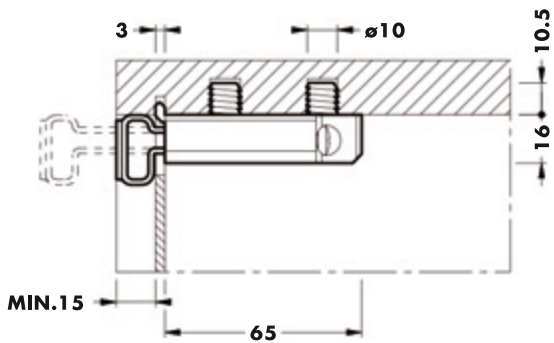
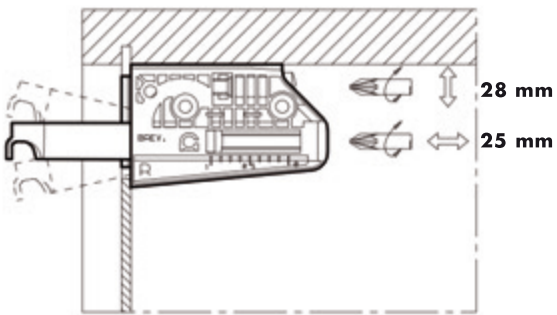
			586-587 www.camar.it/warning
--	--	--	---

25 mm	28 mm		ABS	Fe
-------	-------	--	-----	----

200	6000	1200
-----	------	------



3



9		870 558	873 559	874 559	875 560-562
---	--	-------------------	-------------------	-------------------	-----------------------

880 566	890 AC 00 60 LS 569
	890 AC 01 00 LS 570
	890 AC 01 20 LS 571
	890 AC 01 40 LS 571

9		806 527-528
---	--	-----------------------

