

PC-AF1 Autofit Female

INDUSTRY FIT:

SPECIFICATIONS:

STANDARD PC RANGE

The Fastmount autofit PC-AF1 is ideal for applications that require lateral adjustment, such as curved panels. This versatile screw-fixed clip works with all Standard range male clip types.

PC-AF1



USE WITH:

PC-M1B



PC-VM1



PC-SM2



PC-M2H



PC-VMX



PC-SM2H



PC-SM1AC



MATERIAL:
White acetal copolymer

MORE INFO:
Installation Guide FM-IG_PC-AF1
Clip Layout Guide FM- TD-02, 09, 12

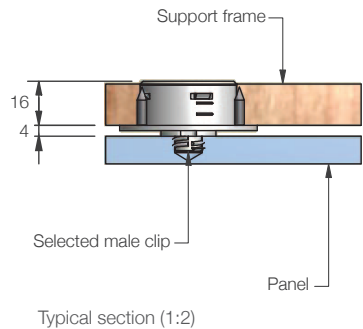
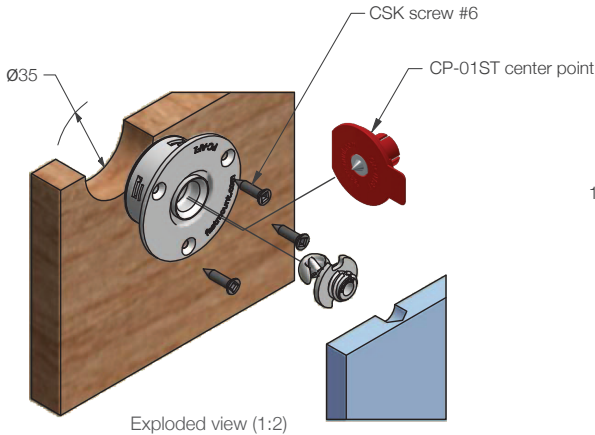
BENEFITS

- Lateral panel adjustment in all directions
- Installation requires no special tools
- Push fit into 35Ø hole
- Several mounting options
- Works with Standard range Fastmount clips

APPLICATIONS

- Complex shaped panels where lateral adjustment is required
- Ceiling, wall and exterior panels
- Mounting of curved panels
- Variety of substrates
- Moulded into hull

INSTALLATION: Partially exploded through section showing typical installation method



The Fastmount® multi-award winning system has revolutionized the mounting of panels. Panels can easily be removed and refitted in any sequence time after time. For further information or technical support contact: info@fastmount.com