

# Sistema di assemblaggio "Solidfix"

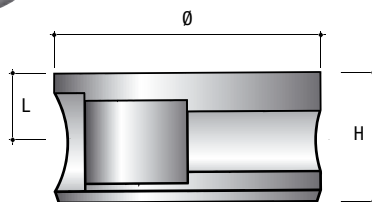
## Connecting fitting "Solidfix" - Ferrure d'assemblage "Solidfix"

### Giunzione "Solidfix"

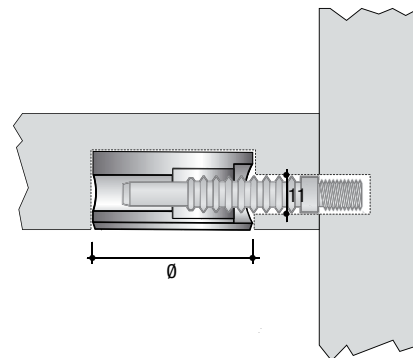
Connecting fitting "Solidfix".  
Ferrure d'assemblage "Solidfix".

MATERIALE - MATERIAL - MATIÈRE  
Zama (Zinc Alloy) (Zamak)

FINITURA - FINISH - FINITION  
ZL



Art.	Ø	H	L		
<b>GM01</b>	35	17	9	100	6,3

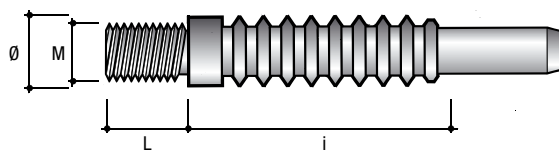


### Perno giunzione "Solidfix"

Dowel for "Solidfix".  
Goujon pour "Solidfix".

MATERIALE - MATERIAL - MATIÈRE  
Ferro (Steel) (Acier)

FINITURA - FINISH - FINITION  
FZ



Art.	M	Ø	L	i		
<b>PM01</b>	8	10	12	55	100	3,4
<b>PM02</b>	8	10	12	35	100	2,5
<b>PM03</b>	8	10	12	23	200	4,2

