

Shelf support for glass shelves • Supports tablettes verre

MATERIALE - MATERIAL - MATIÈRE

Zama + Plastica (Zinc alloy + Plastic)
(Zamak + Plastique)

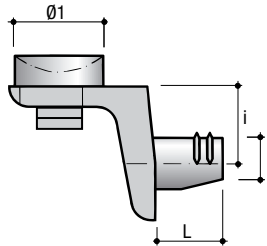
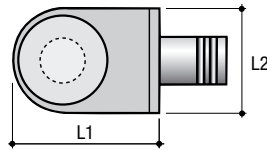
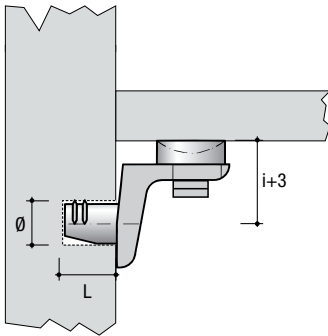
FINITURA - FINISH - FINITION

ZNL - ZBR - ZO - ZZN

Mensolina ad angolo con ventosa.

Angle shelf support w/sucker.
Support tablette avec ventouse.

Art.	Ø	i	Ø1	L	L1	L2		
MV03	5	6	11	8	14	12	2.000	8,7



MATERIALE - MATERIAL - MATIÈRE

Ferro (Steel) (Acier)

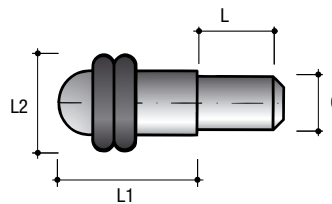
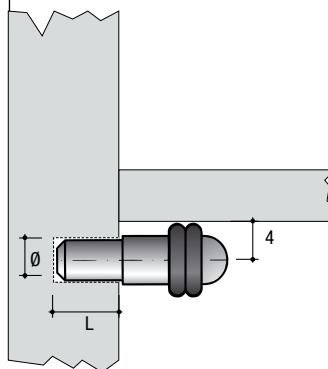
FINITURA - FINISH - FINITION

FNL - FBR - FZN - FO

Mensolina con o-rings.

Shelf support w/o-rings.
Taquet avec o-rings.

Art.	Ø	L	L1	L2		
MV04	3	8	11	9	5.000	12,8
MV05	5	8	11	9	5.000	16,8



MATERIALE - MATERIAL - MATIÈRE

Ferro (Steel) (Acier)

FINITURA - FINISH - FINITION

FZ - FNL - FBR - FZN - FO

Mensolina economy con o-rings.

Shelf support economy w/o-rings.
Taquet economy avec o-rings.

Art.	Ø	L	L1	L2		
MV06	5	8	12	9	5.000	19,6

